

Homa

EN: DEHUMIDIFIER | Instruction Manual
FR: DÉSHUMIDIFICATEUR | Instructions d'utilisation
ES: DESHUMIDIFICADOR | Manual de uso
BG: ОБЕЗВЛАЖНИТЕЛ | Инструкции за употреба
RO: DEZUMIDIFICATOR | Instrucțiuni de utilizare
GR: ΑΦΥΓΡΑΝΤΗΡΑΣ | Εγχειρίδιο λειτουργιών



Model: HDH-20T33
330 W,
2.0A; AC220-240V/50Hz

EN: Please read the instructions manual before using the appliance for the first time and save it for future reference. / **FR:** Veuillez lire le manuel d'instructions avant d'utiliser l'appareil pour la première fois et conservez-le pour référence ultérieure/ / **ES:** Lea el manual de instrucciones antes de utilizar el aparato por primera vez y guárdelo para futuras consultas/ **BG:** Моля, прочетете инструкцията за употреба преди да използвате уреда за пръв път и я запазете за бъдещи справки. / **RO:** Vă rugăm să citiți instrucțiunile de utilizare înainte de a folosi aparatul pentru prima dată și păstrați-le pentru referințe viitoare. / **GR:** Παρακαλώ, διαβάστε το εγχειρίδιο οδηγιών πριν χρησιμοποιήσετε τη συσκευή για πρώτη φορά και φυλάξτε το για μελλοντική αναφορά.

BEFORE YOU BEGIN





Please read the operating instructions carefully before using your dehumidifier for the first time.

PRODUCT DESCRIPTION

The dehumidifier is used to remove excessive moisture from the air. The resulting reduction in relative humidity protects buildings and their contents from the adverse effects of excess humidity.

The environmentally friendly R290 is used as the refrigerant. R290 has no damaging influence on the ozone layer (ODP), a negligible greenhouse effect (GWP) and is available worldwide. Because of its efficient energy properties, R290 is highly suitable as a coolant for this application. Special precautions must be taken into consideration due to the coolant's high flammability.

SYMBOLS FROM THE UNIT AND USER MANUAL

	<p>This unit uses a flammable refrigerant. If refrigerant leaks and comes in contact with fire or heating part, it will create harmful gas and there is risk of fire.</p>
	<p>Read the USER MANUAL carefully before operation.</p>
	<p>Further information is available in the USER MANUAL, SERVICE MANUAL, and the like.</p>
	<p>Service personnel are required to carefully read the USER MANUAL and SERVICE MANUAL before operation.</p>


THE FOLLOWING SHOULD ALWAYS BE OBSERVED FOR SAFETY

- This appliance is intended to be used by expert or trained users in shops, in light industry and on farms, or for commercial use by lay persons.

- This appliance can be used by children aged from 8 years and above and persons with reduced physical, sensory or mental capabilities or lack of experience and knowledge if they have been given supervision or instruction concerning use of the appliance in a safe way and understand the hazards involved. Children shall not play with the appliance. Cleaning and user maintenance shall not be made by children without supervision.
- The unit is designed only for use with R-290(propane) gas as the designated refrigerant.
- The refrigerant loop is sealed. Only a qualified technician should attempt to service!
- Do not discharge the refrigerant into the atmosphere.
- R-290 (propane) is flammable and heavier than air.
- It collects first in low areas but can be circulated by the fans.
- If propane gas is present or even suspected, do not allow untrained personnel to attempt to find the cause.
- The propane gas used in the unit has no odor.
- The lack of smell does not indicate a lack of escaped gas.
- If a leak is detected, immediately evacuate all persons from the store, ventilate the room and contact the local fire department to advise them that a propane leak has occurred.
- Do not let any persons back into the room until the qualified service technician has arrived and that technician advises that it is safe to return to the store.
- No open flames, cigarettes or other possible sources of ignition should be used inside or in the vicinity of the units.
- Component parts are designed for propane and non-incentive and non-sparking. Component parts shall only be replaced with identical repair parts.

FAILURE TO ABIDE BY THIS WARNING COULD RESULT IN AN EXPLOSION,
DEATH, INJURY AND PROPERTY DAMAGE

FOR YOUR SAFETY


 Your safety is the most important thing we concerned!
Please read this manual carefully and fully understand before operating
your dehumidifier.

OPERATIONAL PRECAUTIONS


WARNING- to reduce the risk of fire, electric shock or injury to persons or
property:

- If the supply cord is damaged, it must be replaced by the manufacturer,
its service agent or similarly qualified persons in order to avoid a hazard.
- The appliance shall be disconnected from its power source during
maintenance.
- Always operate the unit from a power source of equal voltage,
frequency and rating as indicated on the product identification plate.
- Always use a power outlet that is grounded.
- Unplug the power cord when cleaning or when not in use.
- Do not operate with wet hands. Prevent water from spilling onto the
unit.
- Do not immerse or expose the unit to rain, moisture or any other liquid.
- Do not leave the unit running unattended. Do not tilt or turn over the
unit.
- Do not unplug while the unit is operating.
- Do not unplug by pulling on the power cord.
- Do not use an extension cord or an adapter plug.

- Do not put objects on the unit.
- Do not climb or sit on the unit.
- Do not insert fingers or other objects into the air outlet.
- Do not touch the air inlet or the aluminum fins of the unit.
- Do not operate the unit if it is dropped, damaged or showing signs of product malfunction.
- Do not clean the appliance with any chemicals.
- Ensure the unit is far away from fire, inflammable, or explosive objects.
- The unit shall be installed in accordance with national wiring regulations.
- Do not use means to accelerate the defrosting process or to clean, other than those recommended by the manufacture.
- The appliance shall be stored in a room without continuously operation sources (for example: open flames, an operating gas appliance or an operating electric heater).
- The appliance shall be stored so as to prevent mechanical damage from occurring.
- Do not piece or burn, even after use.
- Be aware that refrigerants may not contain an odour.
- Pipe-work shall be protected from physical damage and shall not be installed in an unventilated space, if that space is smaller than 4m².
- Compliance with national gas regulations shall be observed.
- Keep any required ventilation openings clear of obstruction.
- The appliance shall be stored in a well-ventilated area where the room size corresponds to the room area as specified for operation..

 Any person who is involved with working on or breaking into a refrigerant circuit should hold a current valid certificate from an industry-accredited assessment authority, which authorizes their competence to handle refrigerants safely in accordance with an industry, recognized

assessment specification.

 Servicing shall only be performed as recommended by the equipment manufacturer. Maintenance and repair requiring the assistance of other skilled personnel shall be carried out under the supervision of the person competent in the use of flammable refrigerants.

If you don't understand something or need help, please contact the dealer services.

SAFETY PRECAUTIONS ON SERVICING

Please follow these warnings when to undertake the following when servicing a dehumidifier with R290.

1. Checks to the area

Prior to beginning work on systems containing flammable refrigerants, safety checks are necessary to ensure that the risk of ignition is minimized. For repair to the refrigerating system, the following precautions shall be complied with prior to conducting work on the system.

2. Work procedure

Work shall be undertaken under a controlled procedure so as to minimize the risk of a flammable gas or vapor being present while the work is being performed.

3. General work area

All maintenance staff and others working in the local area shall be instructed on the nature of work being carried out. Work in confined spaces shall be avoided. The area around the workspace shall be sectioned off. Ensure that the conditions within the area have been made safe by control of flammable material.

4. Checking for presence of refrigerant

The area shall be checked with an appropriate refrigerant detector prior to and during work, to ensure the technician is aware of potentially

flammable atmospheres. Ensure that the leak detection equipment being used is suitable for use with flammable refrigerants, i.e. no sparking, adequately sealed or intrinsically safe.

5. Presence of fire extinguisher

If any hot work is to be conducted on the refrigeration equipment or any associated parts, appropriate fire extinguishing equipment shall be available to hand. Have a dry powder or CO₂ fire extinguisher adjacent to the charging area.

6. No ignition sources

No person carrying out work in relation to a refrigeration system which involves exposing any pipe work that contains or has contained flammable refrigerant shall use any sources of ignition in such a manner that it may lead to the risk of fire or explosion. All possible ignition sources, including cigarette smoking, should be kept sufficiently far away from the site of installation, repairing, removing and disposal, during which flammable refrigerant can possibly be released to the surrounding space. Prior to work taking place, the area around the equipment is to be surveyed to make sure that there are no flammable hazards or ignition risks. "No Smoking" signs shall be displayed.

7. Ventilated area

Ensure that the area is in the open or that it is adequately ventilated before breaking into the system or conducting any hot work. A degree of ventilation shall continue during the period that the work is carried out. The ventilation should safely disperse any released refrigerant and preferably expel it externally into the atmosphere.

8. Checks to the refrigeration equipment

Where electrical components are being changed, they shall be fit for the purpose and to the correct specification. At all times the manufacturer's maintenance and service guidelines shall be followed. If in doubt consult

the manufacturer's technical department for assistance.

The following checks shall be applied to installations using flammable refrigerants:

- The charge size is in accordance with the room size within which the refrigerant containing parts are installed;
- The ventilation machinery and outlets are operating adequately and are not obstructed;
- If an indirect refrigerating circuit is being used, the secondary circuit shall be checked for the presence of refrigerant;
- Marking to the equipment continues to be visible and legible. Markings and signs that are illegible shall be corrected;
- refrigeration pipe or components are installed in a position where they are unlikely to be exposed to any substance which may corrode refrigerant containing components, unless the components are constructed of materials which are inherently resistant to being corroded or are suitably protected against being so corroded.

9. Checks to electrical devices

Repair and maintenance to electrical components shall include initial safety checks and component inspection procedures. If a fault exists that could compromise safety, then no electrical supply shall be connected to the circuit until it is satisfactorily dealt with. If the fault cannot be corrected immediately but it is necessary to continue operation, an adequate temporary solution shall be used. This shall be reported to the owner of the equipment so all parties are advised.

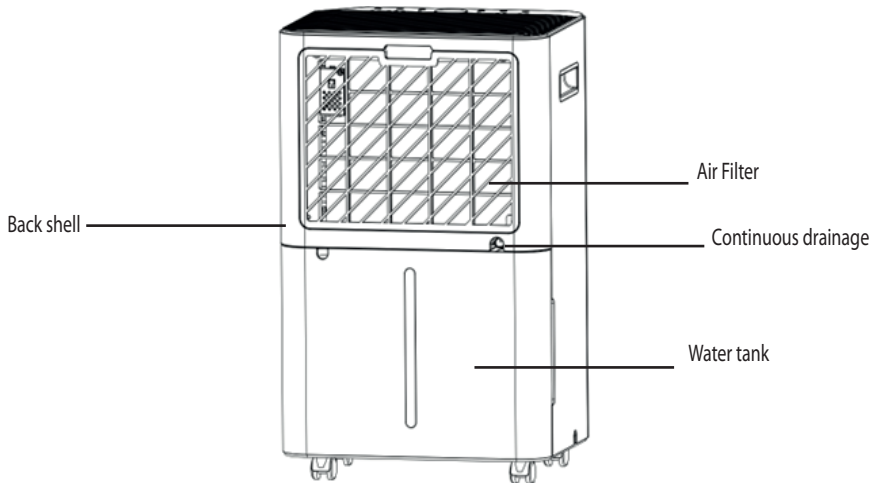
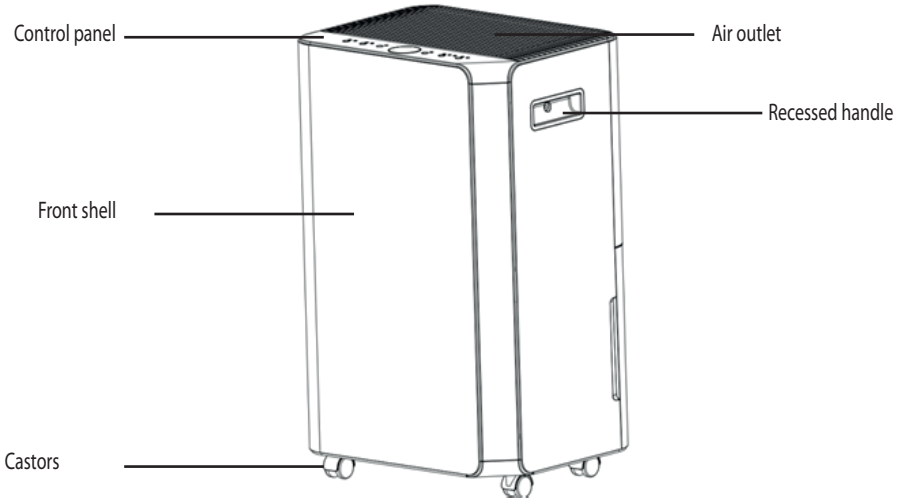
Initial safety checks shall include:

- those capacitors are discharged: this shall be done in a safe manner to avoid possibility of sparking;
- that there no live electrical components and wiring are exposed while charging, recovering, or purging the system;

-that there is continuity of earth bonding

PRODUCT OVERVIEW

FRONT VIEW



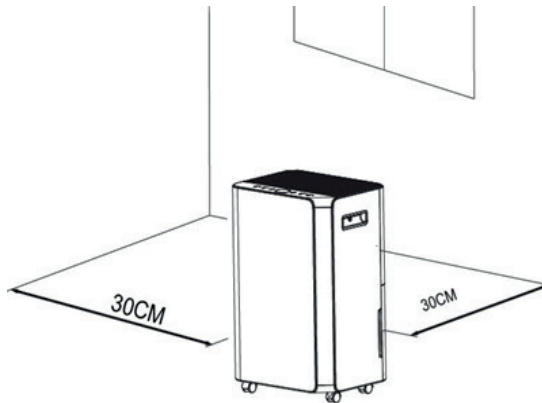
FEATURES

- Powerful moisture removal
- Humidity Monitor shows current air humidity
- Auto mode adjusts humidity levels
- 24-hour timer to set the time of operation
- Effectively remove moisture, dust from the air
- Low power consumption-energy efficient
- Quiet fan has two speed settings
- Auto-Defrost at low temperature
- Auto shut-off/ auto restart
- Electronic control
- Laundry drying function
- Nylon Filter
- Continuous drainage or 4.5L water tank

INSTALLATION

LOCATION

1. Place the unit on a firm, level surface in an area with at least 30cm of free space around it to allow for proper air circulation.
 - Never install the unit where it could be subject to
 - Heat sources such as radiators, heat registers, stoves or other products that produce heat.
 - In an area where oil or water may be splashed
 - Direct sunlight
 - Mechanical vibration or shock
 - Excessive dust
 - Lack of ventilation, such as cabinet or bookcase





WARNING

Install the unit in rooms which exceed 4 m².

Do not install the unit in a place where inflammable gas may leak



NOTE

The manufacture may provide other suitable example or may provide additional information about the refrigerant odour.

OPERATING THE DEVICE SAFELY

- Check the device after unpacking for any damages or scratches on it.
- Operate this unit in an ambient temperature from 5°C to 35°C.
- Do not use in the outdoors. This dehumidifier is intended for indoor residential applications only.
- Do not operate in close proximity to walls, curtains, or other objects that may block inlet and outlet.
- Keep the air inlet and outlet free of obstacles.
- Adjusting the wind deflector in the upward direction prior to start up.
- If tipped more than 45°, allow the unit to set upright for at least 24 hours before start up.
- Keep doors and windows close for better energy saving.
- Do not operate or store the unit in direct sunlight or rain.
- It is normal for air outlet to feel warm to touch after continuous operation on hot days.
- Empty the water tank before moving the device.
- Make sure the Water tank is correctly fitted otherwise the unit will not operate properly.
- The dehumidifier starts up in the mode selected when the unit was last used.
- The dehumidifier starts dehumidifying if the room humidity is 3% higher than the selected humidity.
- There is a protective 3-minutes time delay of the compressor. Wait 3 minutes for the dehumidifier to resume dehumidification.

OPERATION

CONTROL PANEL



FUNCTION KEYS AND INDICATORS

1.	POWER button	Touch this button to switch the machine on or off.
2.	Mode Button	Touch this button to choose Auto,Sleep and Continuous Dry mode.
3.	HUM Button	Touch this button to adjust the humidity level and choose timer hour

4.	Timer	Touch this button to set a time for the unit to automatically start or stop.
5.	Fan speed button	Touch this button to select fan speed between high and low.
6.	Lock button	Hold this button to turn child lock function on or off.
7.	Digital Display	Displays humidity value, Timer setting or Temperature.



Power button

In the standby state, Touch this button to turn on, the operation indicator lights up and the default fan speed is high, and the default humidity is 50%. In the power-on state, Touch this button to turn off, the running indicator light goes off and the compressor stops immediately, and then the fan shut down after 30 seconds delay.



Mode button

Touch the mode key to switch between automatic, Sleep and dry mode.

Automatic mode: when environmental humidity \geq set humidity +3%, the fan starts working and compressor starts working after 3 seconds.

When environmental humidity \leq set humidity -3%, the compressor stops working and fan stops working after 30 seconds' delay.

Touch HUM "" button to adjust the humidity level in automatic mode.

Both fan speed and humidity can be adjusted under auto mode.


Drying mode: The compressor keeps working without control by humidity; Fan speed can be adjusted, but target humidity level cannot.

Sleep Mode: Touch the sleep button, the button lights up and start the sleep function. After no operation in 10 seconds, all indicators turn dark gradually and the wind speed is automatically switched from high to low, press any button to wake up the indicator. Touch sleep button again to exit the sleep mode.



Timer button

Touch the timer button to set the 00-24 hour timing function. Display panel

"88" flashes and will show timer hour, Touch HUM "" button, the value increase 1 hour, the value displayed on the "88" display screen.

In the running state, use the timer function to turn off the machine regularly".

In the standby state, use the timer function to turn on the machine regularly".

Set the time to "00" to cancel the timing function.



Speed

High wind - low wind cycle, Touch the button once to switch and then the corresponding indicator lights up. In continuously drying mode, sleep mode and defrosting period, the wind speed cannot be changed.



Child lock

Long press the child lock button to turn on or off the child lock function.

DRAINAGE

Water Tank Full Alarm

Water Tank Indicator

- When the tank is full for 5 seconds, it sets the alarm. The water tank indicator turns red and the unit buzzes for 5 times.

Clear the alarm

- When the buzz is on, touch any button to stop it. The compressor, fan shut down and all the functions freeze until the tank is emptied and back in right position.

There are two ways of removal collected water produced by the unit.

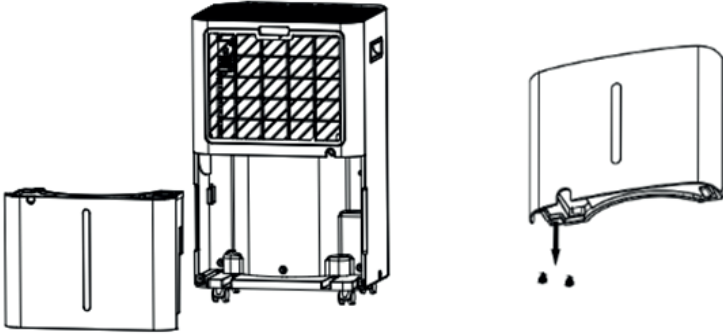
A. Manual draining: Empty water tank by manual.

B. Continuous draining: Use gravity to drain condensate water by attaching a drain hose.

EMPTYING THE WATER TANK

The water tank built in unit, will fill up and shut the unit down once it is full. It will run again once you empty the water tank and installed properly.

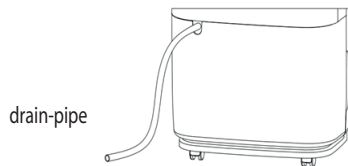
- When the tank is full, the unit will make a buzzing sound, and the "Water Full" light will turn on.
- Touch the POWER button to turn off the unit.
- Pull on the water tank and simply slide out of the body of the dehumidifier.
- Empty the water into an area with a drain or outside.
- Clean the inside of the tank as well as the outside.
- Replace the empty tank back into the unit.
- Press the POWER button to resume operating.
- If the Water Full light does not extinguish, check that the float is correctly in place.



CONTINUOUS DRAINING

For continuous operation or unattended dehumidification, please connect the attached drain hose to the unit. Condensate water can be automatically flow into a bucket or drain by gravity.

- Set the unit in a horizontal surface and stable position.
- Switch off the unit before operating.
- Securely and properly connect the drain hose and make sure it is not kinked and clear of obstruction.
- Place the outlet of hose over a drain or bucket and ensure that water could freely flow out of the unit.
- Do not submerge the end of hose into water; otherwise, it can cause "Air Lock" in the hose.



To avoid water spillage:

- As the negative pressure of condensate drain pan is large, tilt the drain hose downward toward the floor. It is appropriate that the degree of inclination should exceed 20 degrees. Straighten the hose to avoid a trap existing in the hose.

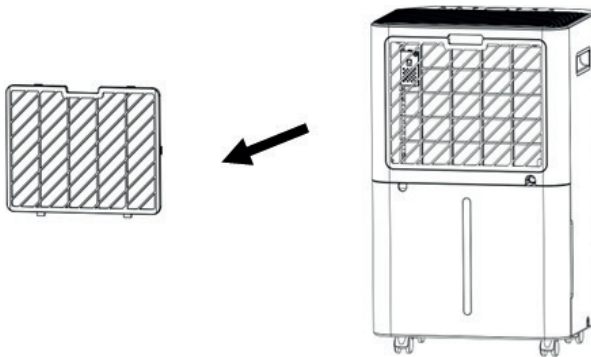
MAINTENANCE

CLEANING THE AIR FILTER (every two weeks)

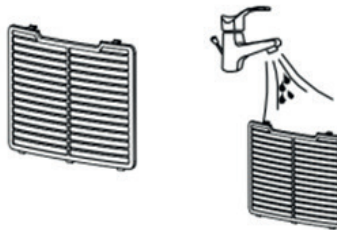
Dust collects on the filter and restricts the airflow. The restricted airflow reduces the efficiency of the system and if it becomes blocked it can cause damage to the unit.

The air filter requires regular cleaning. The air filter is removable for easy cleaning. Do not operate the unit without an air filter, or the evaporator may be contaminated.

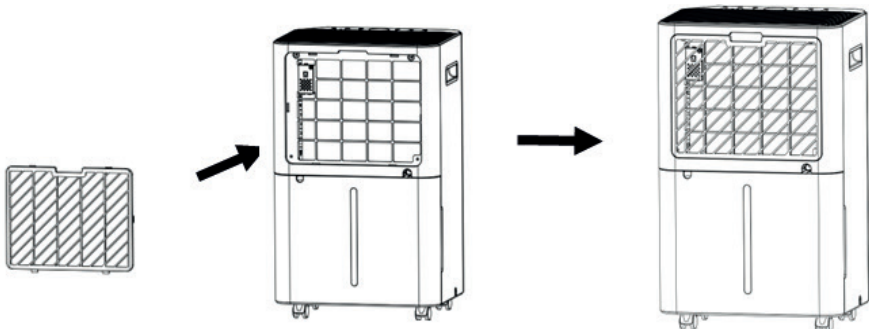
1. Remove the filter frame and take off the filter.



2. Soak the strainer in warm water at about 40 degrees Celsius. Rinse gently with a neutral detergent. Use the vacuum cleaner's brush to gently remove dust from the screen.



3. Put the filter back.



TROUBLE SHOOTING

1. FUNCTIONING TEMP.

5°C ≤ Ambient Temp. ≤ 35°C

When the ambient temp is lower or higher than the functioning temp, the dehumidifier stops.

When 5°C ≤ Ambient temp. ≤ 16°C, the compressor automatically defrosts at intervals; during defrosting, the compressor stops and the fan keeps running.

2. BEFORE CALLING FOR SERVICE

Before contacting professional service, please review the trouble shooting list that includes common occurrences that are not the result of a defect in workmanship or materials.

Problem	Possible Cause	Solution
Not working	No power supply	Connect to a functioning outlet and switch on
	Water Full Indication Flashes	Drain water tank and reset it, or re-position the water tank to right place
	Room temperature 5°C, or 35 °C	Self-Protection designed to protect the unit. Can not work under such temperature
Bad functioning	Is the air filter clogged?	Clean the air filter as instructed
	Is the intake duct or discharge duct obstructed?	Remove the obstruction from the discharge duct or intake duct.
No air intake	Is the filter clogged?	Wash the filter
Loud noise when running	Is the machine put in the plat place?	Put the machine on the plat ground
	Is the filter clogged?	Wash the filter
E1	Humidity sensor problem	Change a sensor
LO	Environmental humidity is below 20%	The dehumidifier shuts down for self- protection
HI	Environmental humidity is above 90%	
CL	Low temperature protection, the environmental temperature 5	
CH	High temperature protection, the environmental temperature 35	

DECOMMISSIONING

STORAGE

Long-term storage - If you will not be using the unit for an extended period of time (more than a few weeks) it is best to clean the unit and dry it out completely. Please store the unit per the following steps:

1. Press power button to switch off and unplug the unit.
2. Drain the remaining water from the unit.
3. Clean the filter and let the filter dry completely in a shaded area.
4. Collect the power cord at the water tank.
5. Re-install the filter at its position.
6. The unit must be kept in upright position when in storage.
7. Preserving the machine in ventilating, dry, non- corrosive gas and safe place indoor.

ATTENTION:

The evaporator inside the machine has to be dried out before the unit is packed to avoid component damage and molds. Unplug the unit and place it in a dry open area for days to dry it out. Another way to dry the unit is to set the humidity point more than 5% higher than the ambient humidity to force the fan to dry the evaporator for a couple of hours.

DISPOSAL

WARNING!!!

Releasing refrigerant into atmosphere is strictly forbidden!

Do not dispose of electrical appliances as unsorted municipal waste, use separate collection facilities. Contact your local government for information regarding the collection systems available. If electrical appliances are disposed of in landfills or dumps, hazardous substances can leak into the groundwater and get into the food chain, damaging your health and well-being

AVANT DE COMMENCER:





Avant d'utiliser le déshumidificateur pour la première fois lisez attentivement ce guide d'emploi.

DESCRIPTION DU DISPOSITIF

Le déshumidificateur est utilisé pour éliminer l'excès d'humidité de l'air. Une réduction de l'humidité relative protège les bâtiments et les biens qui s'y trouvent des effets nocifs d'une humidité excessive.

Le R290, un produit respectueux de l'environnement est utilisé comme agent de refroidissement. Le R290 n'a aucun effet nocif sur la couche d'ozone (ODP), a un effet de serre négligeable (GWP) et est disponible dans le monde entier. En raison de ses propriétés écoénergétiques, le R290 est très approprié comme agent de refroidissement dans ces climatiseurs. Des précautions particulières doivent être prises en compte en raison de l'inflammabilité élevée du réfrigérant.

SYMBOLES APPLIQUÉS À L'APPAREIL UTILISÉS DANS LE MANUEL D'UTILISATION

	<p>L'appareil utilise un réfrigérant inflammable. En cas d'échappement du fluide frigorigène et son contact avec un feu ou un appareil de chauffage, des gaz nocifs seront libérés et il y aura un risque d'incendie.</p>
	<p>Lisez attentivement les instructions avant utilisation.</p>
	<p>Des informations supplémentaires peuvent être trouvées dans le manuel d'utilisation, le manuel d'entretien, etc. documents.</p>
	<p>Le personnel d'entretien doit lire attentivement le manuel d'utilisation et le manuel d'entretien avant de travailler sur l'appareil.</p>

POUR VOTRE SÉCURITÉ, VOUS DEVEZ TOUJOURS RESPECTER LES AVERTISSEMENTS SUIVANTS

- Cet appareil est destiné à être utilisé par des professionnels ou des utilisateurs qualifiés dans les magasins, l'industrie légère ou les fermes, ou à des fins commerciales par des personnes formées.
- Cet appareil peut être utilisé par des enfants de plus de huit ans et des personnes dont les capacités physiques, sensorielles ou mentales sont réduites, ou telles qui n'ont pas d'expérience et de connaissances, à moins qu'elles soient surveillées ou instruites concernant l'utilisation de l'appareil et les risques y connectés. Ne permettez pas aux enfants de jouer avec le dispositif. Le nettoyage et l'entretien de l'appareil ne doivent pas être faits par des enfants qui ne sont pas surveillés.
- L'appareil est conçu pour fonctionner uniquement avec du gaz R-290 (propane) comme réfrigérant.
- Le contour du liquide frigorigène est scellé hermétiquement. Seul un technicien qualifié est autorisé à effectuer le service!
- Ne laissez pas le réfrigérant échapper dans l'atmosphère.
- Le R-290 (propane) est un gaz inflammable et plus lourd que l'air.
- Il se rassemble d'abord dans de petits espaces mais peut être époustoufflé par les ventilateurs.
- S'il y a du gaz propane, ou même si vous n'en avez que des doutes, ne laissez pas des personnes sans formation spéciale essayer de trouver la cause de la fuite.
- Le propane utilisé dans l'appareil n'a pas d'odeur.
- L'absence d'odeur ne signifie pas manque de fuite de gaz.
- Si une fuite est détectée, évacuez immédiatement toutes les personnes du magasin, aérez les locaux et contactez le service d'incendie local pour les informer qu'il y a une fuite de propane.
- Ne permettez à personne de retourner dans la salle avant qu'un technicien qualifié n'arrive sur place et qu'il / elle signale qu'il est sécuritaire de retourner dans la salle.
- Aucune flamme nue, cigarette ou autre source d'ignition ne doit être utilisée dans ou à proximité de l'appareil.
- Les composants sont conçus pour le propane et sont ignifuges et ne produisent pas des étincelles. Les composants ne doivent être remplacés que par des pièces de rechange identiques.

SI CET AVERTISSEMENT N'EST PAS RESPECTÉ, VOUS POUVEZ CAUSER L'EXPLOSION, LA MORT, DES BLESSURES OU DES DOMMAGES MATÉRIELS.

POUR VOTRE SECURITE



! Votre sécurité est la chose la plus importante dont nous nous soucions!


Veillez lire attentivement ce manuel et bien comprendre les informations qu'il contient avant de procéder avec votre déshumidificateur.

PRÉCAUTIONS D'UTILISATION


ATTENTION - pour réduire les risques d'incendie, de choc électrique, de blessures corporelles et de dommages matériels:

- Si le câble d'alimentation est endommagé, pour éviter tout risque, il doit être remplacé par le fabricant, son technicien d'entretien ou une personne qualifiée.
- L'appareil doit être débranché pendant l'entretien.
- Branchez l'appareil en réseau d'alimentation avec tension dont la fréquence et la puissance sont égaux à ceux donnés dans la plaque d'identification du produit.
- Utilisez toujours une prise électrique mise à la terre.
- Débranchez l'appareil du secteur quand vous n'utilisez pas.
- Ne touchez jamais l'appareil avec des mains humides. Ne laissez pas d'eau pénétrer dans l'appareil.
- Ne plongez jamais l'appareil dans de l'eau ou d'autres liquides et ne l'exposez pas à la pluie et humidité.
- Ne laissez jamais l'appareil en opération sans surveillance. N'inclinez pas, ni renversez l'appareil.
- Ne débranchez pas l'appareil du réseau quand il fonctionne.
- Ne tirez jamais sur le câble d'alimentation pour le débrancher.
- N'utilisez pas de rallonge ou de fiche d'adaptateur.
- Ne placez pas des objets dans l'appareil.
- Ne montez pas et ne vous asseyez pas sur l'appareil.

- Ne mettez pas vos doigts ou d'autres objets dans les sorties d'air.
- Ne touchez pas l'entrée d'air ou les ailettes en aluminium de l'appareil.
- N'utilisez pas l'appareil s'il est tombé, est endommagé ou présente des signes de dysfonctionnement.
- Ne nettoyez pas l'appareil avec des produits chimiques.
- Assurez-vous que l'appareil est situé à une distance suffisante des flammes nues, des objets inflammables ou explosifs.
- L'appareil doit être installé conformément aux réglementations locales en matière de câblage électrique et de connexion.
- N'utilisez aucun autre moyen pour accélérer le processus de dégivrage ou pour le nettoyage que ceux recommandés par le fabricant.
- L'appareil doit être stocké dans une pièce où il n'y a pas de source d'ignition permanente (par exemple des dispositifs à flamme nue, un appareil à gaz ou une cuisinière électrique).
- L'appareil doit être rétracté de manière à éviter tout dommage mécanique.
- Ne coupez pas, ni brûlez, près de l'appareil même après usage.
- Gardez à l'esprit que le gaz réfrigérant ne peut pas se sentir.
- Les conduites doivent être protégés contre les dommages physiques et ne doivent pas être installés dans des zones sans ventilation si leurs espaces sont inférieures à 4m².
- La conformité aux réglementations nationales sur l'utilisation du gaz doit être respectée.
- N'obstruez pas les ouvertures de ventilation.
- L'appareil doit être stocké dans des zones bien ventilées et la taille de la pièce est conforme à la zone spécifiée dans le mode d'emploi.

 Toute personne effectuant des travaux ou d'intervention aux conduites du réfrigérant doit avoir un certificat valide délivré par un organisme d'évaluation accrédité par l'industrie qui certifie sa compétence

à travailler en toute sécurité avec des réfrigérants conformément aux critères d'évaluation spécifiques à l'industrie.

 L'entretien doit être effectué de la manière recommandée par le fabricant de l'appareil. L'entretien et les réparations nécessitant l'assistance d'un autre personnel qualifié doivent être effectués sous la supervision d'une personne compétente dans l'utilisation de réfrigérants inflammables. Si vous ne comprenez pas quelque chose ou avez besoin d'aide, veuillez contacter un technicien de service ou un revendeur.

CONSIGNES DE SÉCURITÉ PENDANT ENTRETIEN

Respectez les avertissements suivants lors de l'entretien d'un déshumidificateur R290.

1. Inspections sur place

Avant de commencer à travailler sur des systèmes contenant des réfrigérants inflammables sont nécessaires des contrôles de sécurité pour s'assurer que le risque d'inflammation est minimisé. Lors de la réparation du système de réfrigération, les précautions suivantes doivent être observées avant de travailler sur le système.

2. Mode opératoire

Les travaux doivent être exécutés selon procédure contrôlée afin de minimiser le risque de dégagement ou de présence de gaz ou de vapeurs inflammables pendant les travaux.

3. Lieu de travail

Tout le personnel de maintenance et les autres personnes travaillant sur le site doivent être informés de la nature du travail avant qu'il ne soit effectué. Les travaux dans des espaces confinés doivent être évités. La zone autour du lieu de travail doit être séparée. Assurez-vous que les conditions dans la zone sont sûres en contrôlant les matériaux inflammables.

4. Vérification du réfrigérant

Avant et pendant le travail l'espace doit être vérifié avec un détecteur de réfrigérant approprié pour s'assurer que le technicien est conscient de la présence possible d'une atmosphère inflammable. Un équipement de détection de fuite adapté à une utilisation avec des réfrigérants inflammables doit être utilisé, c.-à-d. anti-étincelle correctement scellé ou d'avoir des moyens intégrés pour assurer la sécurité.

5. Disponibilité d'un extincteur

Si des travaux impliquant l'utilisation de flammes et de chaleur doivent être effectués sur l'équipement de refroidissement ou des pièces connexes, un équipement d'extinction d'incendie approprié doit être disponible. Un extincteur à poudre sèche ou à CO₂ doit être disponible sur le lieu de travail.

6. Absence de sources d'inflammation

Les personnes effectuant des travaux liés aux systèmes de refroidissement qui comprennent des tuyauteries exposées contenant ou ayant contenu un réfrigérant inflammable ne doivent pas utiliser de sources d'inflammation d'une manière qui pourrait entraîner la survenue d'un risque d'incendie ou d'explosion. Toutes les sources possibles d'inflammation, y compris la cigarette, doivent être suffisamment éloignées du lieu d'installation, de réparation, de démontage et d'élimination, au cours desquelles il est possible de libérer du réfrigérant inflammable dans la zone environnante. Avant de commencer le travail, la zone autour de l'équipement doit être vérifiée pour la présence de matériaux inflammables ou de risques d'inflammation. Des panneaux « Interdiction de fumer » doivent être affichés.

7. LIEU VENTILÉ

Assurez-vous que l'espace est ouvert ou qu'il y a une ventilation suffisante avant d'ouvrir le système ou avant d'effectuer des travaux impliquant l'utilisation de flammes ou de chaleur. La ventilation doit se

poursuivre pendant la durée des travaux. La ventilation doit disperser en toute sécurité tout réfrigérant libéré et de préférence l'évacuer dans l'atmosphère.

8. Vérifications de l'équipement de refroidissement

Lorsque des composants électriques doivent être remplacés, ils doivent être adaptés à l'usage et avoir les spécifications correctes. Les instructions du fabricant pour l'entretien et le service doivent être suivies à tout moment. En cas de doute, consultez le service technique du fabricant pour obtenir de l'aide.

Les contrôles suivants doivent être effectués sur les installations utilisant des fluides frigorigènes inflammables :

- Le montant facturé doit être conforme à la taille de la pièce dans laquelle les pièces contenant du réfrigérant sont installées.
- L'équipement et les sorties de ventilation doivent fonctionner correctement et ne pas être obstrués.
- Si un circuit de refroidissement indirect est utilisé, le circuit secondaire doit être vérifié pour la présence de réfrigérant.
- Les marquages de l'équipement sont visibles et lisibles. Les marquages et panneaux illisibles doivent être changés;
- le tuyau de réfrigérant ou les composants sont installés dans un endroit où la probabilité d'être exposé à toute substance pouvant provoquer la corrosion des composants contenant le réfrigérant est faible, à moins que les composants ne soient constitués de matériaux résistants à la corrosion ou convenablement protégés contre corrosion.

9. Vérifications des appareils électriques

La réparation et l'entretien des composants électriques doivent inclure des contrôles de sécurité initiaux et des procédures d'inspection des composants. S'il existe un défaut qui pourrait compromettre la sécurité, l'alimentation électrique ne doit pas être connectée au circuit à moins

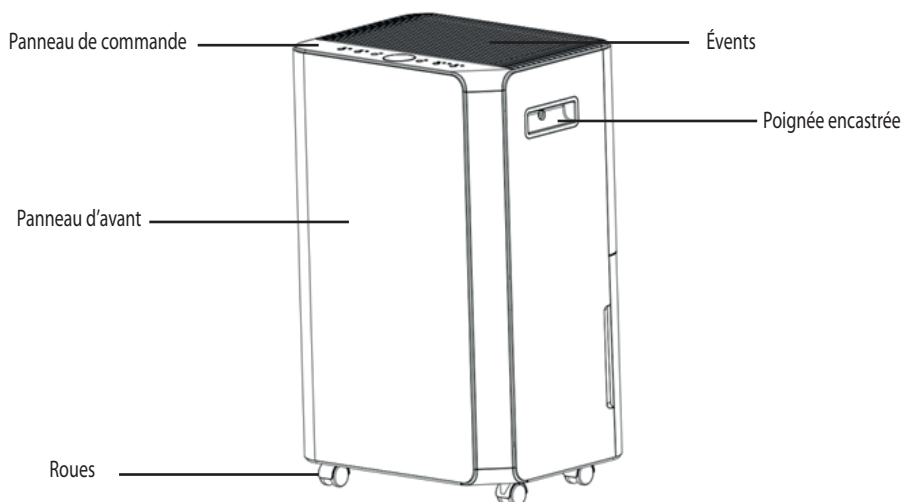
qu'elle n'ait été effectuée de manière satisfaisante. Si le défaut ne peut pas être corrigé immédiatement, mais que le travail doit continuer, une solution temporaire appropriée doit être utilisée. Il doit être signalé au propriétaire de l'équipement afin que toutes les parties en soient informées.

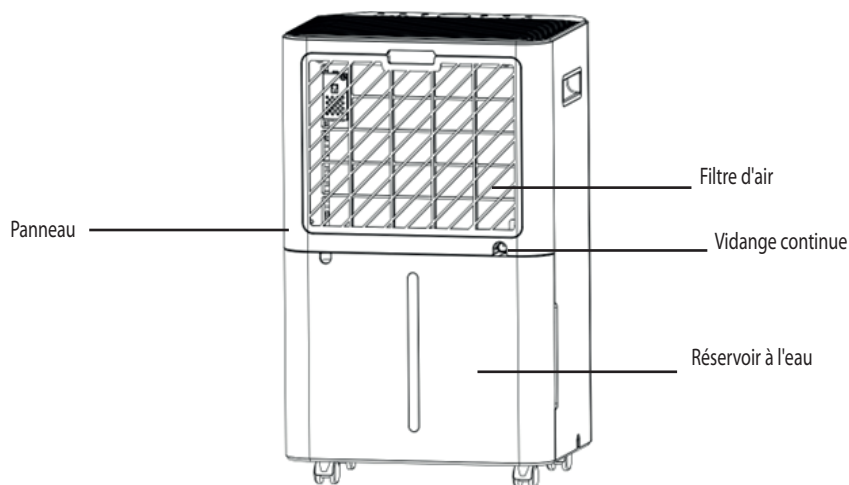
Les contrôles de sécurité initiaux doivent inclure :

- vérifier que les condensateurs sont déchargés : cela doit être fait de manière sûre pour éviter la possibilité de causer des étincelles.
- vérifier qu'il n'y a pas de composants électriques sous tension et de câbles exposés lors de la charge, de la restauration ou de la purge du système;
- Vérifier que la mise à la terre de l'appareil est correcte.

DESCRIPTION DU DISPOSITIF

VUE DEVANT





FONCTIONS

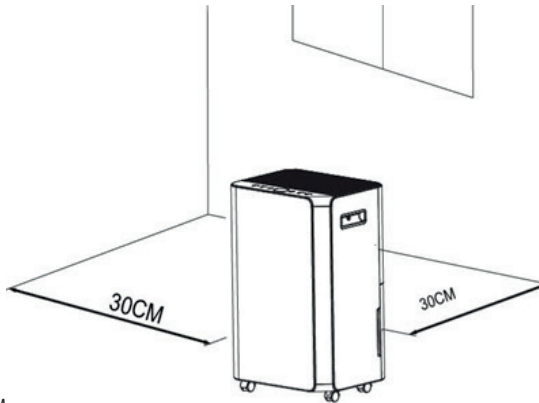
- Absorption puissante de l'humidité;
- Le moniteur d'humidité montre l'humidité dans l'air en ce moment;
- Le mode automatique régule les niveaux d'humidité;
- Minuterie de 24 heures pour la durée de fonctionnement;
- Absorption efficace de l'humidité et de la poussière de l'air;
- Faible consommation d'énergie - économe en énergie;
- Ventilateur silencieux a deux réglages de vitesse;
- Dégivrage automatique à basse température;
- Arrêt et redémarrage automatiques;
- Contrôle électronique;
- Fonction de séchage du linge;
- Filtre en nylon;
- Vidange continue ou réservoir d'eau 4.5 l.

MONTAGE

EMPLACEMENT

1. Placez l'appareil sur une surface ferme et de niveau avec au moins 30 cm d'espace autour pour que l'air puisse circuler correctement.
 - Ne placez jamais l'appareil dans un endroit où il pourrait être affecté par:
 - Sources de chaleur, telles que radiateurs, compteurs de chaleur, plaques chauffantes ou autres appareils générant de la chaleur;
 - Dans une zone où de l'huile ou de l'eau peut être éclaboussée;

- Lumière directe du soleil;
- Vibrations ou chocs mécaniques;
- Poussiérage excessif
- Manque de ventilation, par exemple dans les armoires ou les armoires de bibliothèque;



AVERTISSEMENT

Placez l'appareil dans des pièces de plus de 4 m³.

N'installez pas l'appareil dans un endroit où des gaz inflammables peuvent fuir.



REMARQUE

Le fabricant peut fournir d'autres exemples appropriés ou des informations supplémentaires sur l'odeur du réfrigérant.

FONCTIONNEMENT SÉCURISÉ AVEC L'APPAREIL

- Vérifiez l'appareil après le déballage pour déceler des dommages ou des rayures.
- Utilisez l'appareil uniquement à la température ambiante recommandée 5-35°C.
- N'utilisez pas le dispositif à l'extérieur. Ce déshumidificateur est destiné à une utilisation intérieure dans des locaux résidentiels.
- Ne placez pas l'appareil près des murs, des rideaux ou d'autres objets qui pourraient obstruer l'entrée et la sortie d'air.
- Il ne doit y avoir aucun obstacle devant les entrées et sorties d'air.
- Avant de brancher réglez le déflecteur de jet vers le haut.
- S'il a été incliné de plus de 45°, laissez l'appareil droit pendant au moins 24 heures avant de le démarrer.
- Gardez les portes et les fenêtres fermées pour mieux économiser l'énergie.
- Ne placez pas ou rangez l'appareil en plein soleil.
- Il est normal que les bouches d'aération soient chaudes au toucher après un fonctionnement prolongé par temps chaud.
- Videz le réservoir d'eau avant de déplacer l'appareil.
- Placez toujours le réservoir d'eau dans le sens correct, sinon l'appareil ne fonctionnera pas normalement.
- Le déshumidificateur démarre dans le mode qui a été sélectionné la dernière fois qu'il a été utilisé.
- Le déshumidificateur commence à extraire l'humidité si ses valeurs dans la pièce sont supérieures en 3 % à la valeur d'humidité définie dans l'appareil.
- Il y a une temporisation de trois minutes afin de protéger le compresseur. Attendez trois minutes avant que le déshumidificateur commence à extraire l'humidité.

MODE D'EMPLOI

Bandeau de commande



TOUCHES DE FONCTIONNEMENT ET VOYANTS

1.	Touche POWER (mise en marche / arrêt)	Touchez pour mettre en marche ou arrêter l'appareil.
2.	Touche Mode	Appuyez cette touche pour sélectionner le mode souhaité - Auto, Sleep (Veille) et Continuous Dry (Séchage continu).
3.	Touche HUM	Appuyez cette touche pour régler le niveau d'humidité et sélectionner une heure pour la minuterie.
4.	Touche Timer	Appuyez sur cette touche pour définir une heure de démarrage et d'arrêt automatiques de l'appareil.
5.	Touche Fan (Ventilateur)	Touchez pour sélectionner la vitesse de ventilateur entre haute et basse.
6.	Lock (Verrouillage des touches)	Appuyez et maintenez enfoncé pour activer ou désactiver la fonction de verrouillage de la touche de sécurité.
7.	Affichage numérique	Affiche le niveau d'humidité, le réglage de la minuterie ou la température.



Touche POWER (mise en marche/arrêt)

En état de veille de l'appareil, touchez cette touche pour le mettre en marche. Le voyant de fonctionnement de l'unité s'allume et l'unité commence à fonctionner avec la vitesse de ventilation par défaut « élevée » et d'humidité par défaut - 50 %. Lorsque l'appareil est en marche, appuyez cette touche pour l'arrêter. Le voyant de fonctionnement de l'unité s'éteint et le compresseur s'arrête immédiatement. Le ventilateur s'éteint ensuite avec un délai de 30 secondes.



Touche Mode

Appuyez cette touche de mode de fonctionnement pour basculer entre le mode automatique, le mode veille et le mode séchage.

Mode automatique: lorsque l'humidité de l'air est supérieure à 3% ou égale à la température réglée, le ventilateur se met en marche et le compresseur - après 3 secondes.

Lorsque l'humidité de l'air est inférieure à 3 % ou égale à la température réglée, le compresseur s'arrête de fonctionner et le ventilateur s'arrête aussi après 30 secondes.

Appuyez la touche HUM «  » pour régler le niveau d'humidité en mode automatique.

La vitesse du ventilateur et l'humidité réglées dans l'unité peuvent être ajustées en mode de fonctionnement automatique.

Mode séchage : Le compresseur fonctionne en continu sans être contrôlé par l'humidité. La vitesse du ventilateur peut être ajustée, mais le niveau d'humidité ne peut pas être réglé.

Mode « veille » Appuyez la touche veille et elle s'allume pour indiquer que la fonction de veille est activée. S'il n'y a pas d'opération pendant 10 secondes, tous les indicateurs s'éteindront progressivement et la vitesse du ventilateur passera automatiquement de haute à basse. Appuyez sur n'importe quel bouton pour allumer les indicateurs. Appuyez à nouveau sur le bouton « veille » pour quitter ce mode.



Touche Timer (Minuterie)

Appuyez la touche de la minuterie pour régler que l'appareil fonctionne à une heure précise - de 00 à 24 heures. Affichage Sur l'affichage commence à clignoter « 88 » et l'appareil passe en mode de réglage de l'heure de la minuterie. En appuyant la touche HUM, la valeur augmente d'une heure.

Lorsque l'appareil est en marche, utilisez la minuterie pour arrêter périodiquement l'appareil.

Lorsque l'appareil est en mode veille, utilisez la minuterie pour le mettre en marche périodiquement.

Pour désactiver la fonction minuterie la valeur à régler est « 00 ».



Vitesse

En appuyant la touche, la vitesse change séquentiellement de haute à basse et l'indicateur correspondant s'allume. En mode de séchage continu, en mode veille et en période de dégivrage, la vitesse du ventilateur ne peut pas être modifiée.



Fonction de verrouillage sécuritaire des touches

Appuyez et maintenez enfoncé la touche Lock pour activer ou désactiver la fonction de verrouillage des touches.

DÉCHARGE

Alarme réservoir plein d'eau

Voyant du réservoir de l'eau

- Lorsque le réservoir est plein, au bout de 5 secondes l'alarme se déclenche. Le voyant du réservoir d'eau s'allume en rouge et émet 5 bips.

Effacer l'alarme

- Lorsque l'alarme sonore est activée, appuyez sur n'importe quel bouton pour l'arrêter. Le compresseur et le ventilateur s'arrêtent avec toutes les autres fonctions, jusqu'à ce que le réservoir soit vidé et remis à sa place.

Il y a deux manières de vider l'eau collectée dans l'appareil.

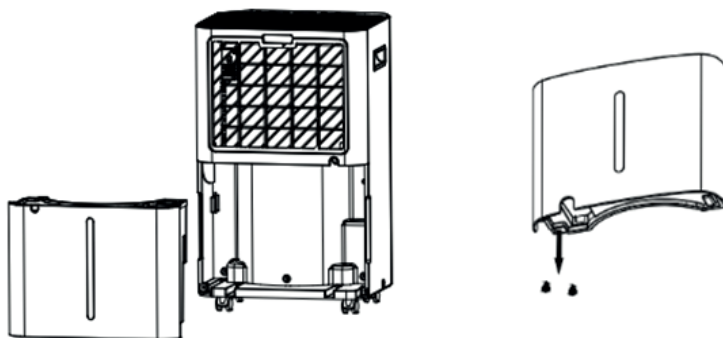
A. Vidange manuelle : Videz le réservoir d'eau à la main.

B. Vidange continue : Vider l'eau condensée à l'aide d'un tuyau de vidange.

VIDANGE DU RÉSERVOIR D'EAU

Lorsque le réservoir d'eau intégré dans l'appareil est plein, l'appareil s'arrête de fonctionner. L'appareil recommencera à fonctionner lorsque vous viderez le réservoir d'eau et le placerez correctement.

- Lorsque le réservoir est plein, un bip retentit et l'indicateur de réservoir plein s'allume.
- Appuyez la touche POWER pour débrancher l'appareil.
- Tirez le réservoir d'eau (il suffit de le faire glisser) hors du boîtier du déshumidificateur.
- Versez l'eau dans le drain ou à l'extérieur.
- Nettoyez le réservoir à l'intérieur et à l'extérieur.
- Remettez le réservoir vide dans l'appareil.
- Appuyez la touche POWER pour redémarrer l'appareil.
- Si le voyant de réservoir plein ne s'éteint pas, vérifiez que le flotteur est en place.



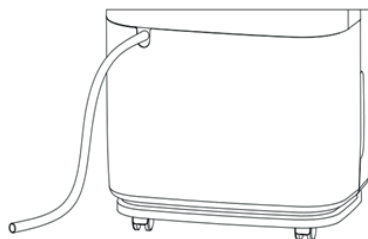
DÉCHARGE CONTINUE

Pour un fonctionnement continu ou un séchage sans surveillance, raccordez le tuyau de vidange fourni avec l'appareil. L'eau condensée peut s'écouler automatiquement dans un seau ou s'écouler par gravité.

- Placez l'appareil sur une surface horizontale et dans une position stable.
- Arrêtez toujours l'appareil avant de commencer à travailler.
- Raccordez solidement et correctement le tuyau de vidange et assurez-vous qu'il n'est pas plié et obstrué.
- Placez l'extrémité de sortie du tuyau sur un canal ou un seau et assurez-vous que l'eau peut s'écouler librement de l'unité.

Ne plongez pas l'extrémité du tuyau dans l'eau, sinon cela pourrait provoquer un blocage d'air dans le tuyau.

Tuyau de drainage



Pour éviter le renversement de l'eau:

La pression négative du bac de vidange étant élevée, inclinez le tuyau de vidange vers le bas. Il est acceptable que la pente ne dépasse pas 20 degrés.

Tirez le tuyau et redressez-le pour éviter de capter l'air dans le tuyau.

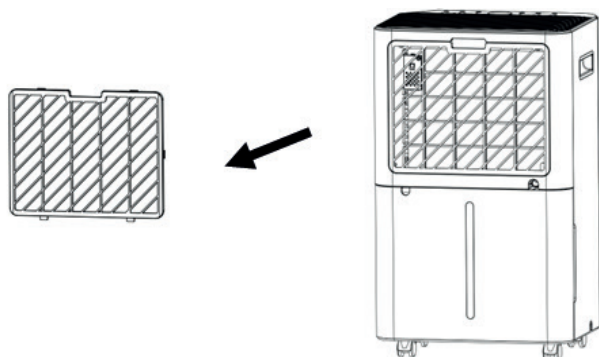
SOUTIEN

NETTOYAGE DU FILTRE À AIR (toutes les deux semaines)

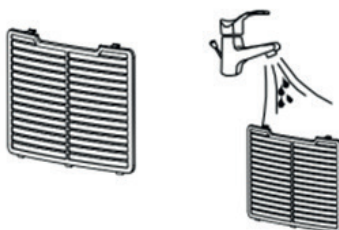
La poussière est collectée par le filtre et restreint le flux d'air. Un débit d'air restreint réduit l'efficacité du système et, s'il est bloqué, peut endommager l'appareil.

Les filtres à air nécessitent un nettoyage régulier. Les filtres à air sont amovibles pour un nettoyage facile. N'allumez pas l'appareil sans filtre à air car l'évaporateur pourrait se salir.

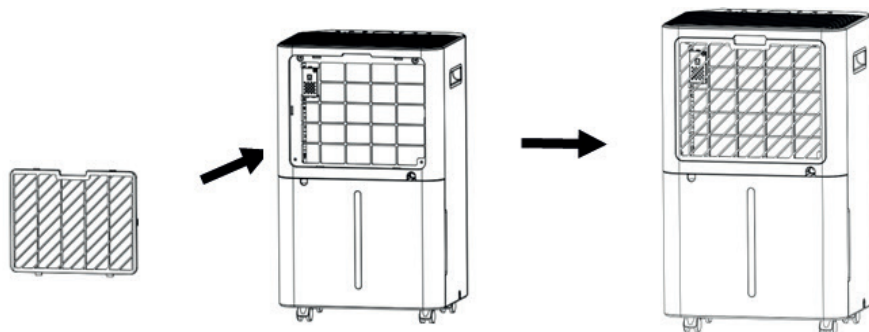
1. Sortez le cadre du filtre et retirez le filtre.



2. Faites tremper le filtre dans de l'eau tiède (environ 40°C). Lavez délicatement avec un détergent neutre. Avec une brosse d'aspirateur retirez délicatement la poussière du filtre.



3. Installez le filtre dans l'appareil.



DÉPANNAGE

1. La plage de température de fonctionnement

$5^{\circ}\text{C} \leq \text{température ambiante} \leq 35^{\circ}\text{C}$

Lorsque la température ambiante est inférieure à 5°C ou supérieure à 35°C, le déshumidificateur cesse de fonctionner.

Lorsque la température ambiante est supérieure à 5°C et inférieure à 16°C, le compresseur démarre automatiquement le dégivrage. Pendant le dégivrage, le compresseur s'arrête et le ventilateur continue de tourner.

2. Avant de chercher des services qualifiés

Avant de contacter un professionnel du service, consultez la liste des solutions aux problèmes courants qui ne sont pas causés par un défaut de fabrication ou de matériaux de l'appareil.

Problème	Possible cause	Solution
Le dispositif ne fonctionne pas:	N'est branché au secteur.	Branchez le cordon d'alimentation dans une prise adaptée.
	Le voyant de réservoir plein clignote.	Videz l'eau du réservoir d'eau et remettez-le à sa place. S'il n'y a pas d'eau dans le réservoir, déplacez-le dans l'appareil pour qu'il repose à sa place et le voyant s'éteindra.
	La température ambiante est 5°C ou 35°C.	La fonction de protection de l'appareil a été activée. À une telle température, l'appareil ne peut pas fonctionner.
L'appareil fonctionne mal.	Vérifiez si le filtre à air est obstrué.	Nettoyez le filtre à air en suivant les instructions.
	Vérifiez que les conduits d'admission ou d'échappement ne sont pas obstrués.	Si c'est le cas, retirez l'obstruction du conduit d'admission ou de sortie.
Aucun air n'est aspiré.	Vérifiez si le filtre est obstrué.	Si c'est le cas, lavez le filtre.
Un bruit fort se fait entendre pendant le fonctionnement.	Vérifiez que l'appareil est placé sur une surface horizontale.	S'il n'est pas placé sur une surface horizontale, déplacez-le.
	Vérifiez si le filtre est obstrué.	Si c'est le cas, lavez le filtre.
E1	Problème de capteur d'humidité.	Remplacement du capteur.
LO	L'humidité de l'air est inférieure à 20 %.	Le déshumidificateur s'est arrêté pour se protéger.
HI	L'humidité de l'air est supérieure à 90 %.	
CL	Protection basse température, température de l'air < 5.	
CH	Protection haute température, température de l'air > 35.	

DÉCLASSEMENT

STOCKAGE

Stockage à long terme - Si vous ne comptez pas utiliser l'appareil pendant une longue période (plus de quelques semaines), il est préférable de nettoyer l'appareil et de le sécher complètement. Retirez l'appareil en procédant comme suit:

1. Appuyez la touche POWER pour débrancher l'appareil et sortez le câble d'alimentation.
2. Videz l'eau restante de l'appareil.
3. Nettoyez le filtre et laissez-le sécher complètement dans une zone ombragée.
4. Ramassez le câble d'alimentation dans le réservoir d'eau.
5. Remettez le filtre à sa place.
6. L'appareil doit être maintenu en position verticale lorsqu'il est rangé.
7. Rangez l'appareil dans un endroit ventilé, sec et sûr à l'intérieur, sans gaz corrosifs.

ATTENTION:

L'évaporateur de l'appareil doit être séché avant l'emballage de l'appareil afin d'éviter d'endommager les composants et

d'éviter les moisissures. Éteignez l'appareil et placez-le dans un endroit sec et ouvert pendant quelques jours pour le laisser sécher. Une autre façon de sécher l'appareil consiste à définir une valeur d'humidité supérieure à 5% de l'humidité ambiante pour forcer le ventilateur à sécher l'évaporateur pendant plusieurs heures.

8.2 DISPOSITION

AVERTISSEMENT!

Le rejet de réfrigérant dans l'atmosphère est strictement interdit!

Ne jetez pas les appareils électriques dans les ordures ménagères, séparez-les pour la collecte des déchets. Contactez les autorités locales pour obtenir des informations sur les systèmes de collecte de déchets. Si l'équipement électrique est disposé dans des décharges ou des dépotoirs, des déchets dangereux peuvent s'infiltrer dans les eaux souterraines et retourner dans la chaîne alimentaire, ainsi posant risque pour la santé et le bien-être des personnes.

ANTES DE EMPEZAR:





Lea atentamente las instrucciones de uso antes de utilizar el deshumidificador por primera vez.

DESCRIPCIÓN DEL APARATO

El deshumidificador se utiliza para eliminar el exceso de humedad del aire. Una reducción de la humedad relativa protege los edificios y las propiedades dentro de ellos de los efectos nocivos del exceso de humedad.

El R290, respetuoso con el medio ambiente, se utiliza como refrigerante. R290 no tiene potencial de agotamiento de la capa de ozono (ODP), tiene un efecto invernadero insignificante (GWP) y está disponible en todo el mundo. Debido a sus cualidades de eficiencia energética, el R290 es muy adecuado como refrigerante en estos acondicionadores de aire. Deben tomarse precauciones especiales debido al refrigerante altamente inflamable.

SÍMBOLOS EN EL DISPOSITIVO Y ENCONTRADOS EN EL MANUAL DEL USUARIO

	<p>El aparato utiliza un refrigerante inflamable. Si se produce una fuga de refrigerante y entra en contacto con un dispositivo de fuego o de calefacción, se liberará un gas nocivo y existe un riesgo de incendio.</p>
	<p>Lea atentamente estas instrucciones antes de usar.</p>
	<p>Puede encontrar información adicional en el Manual del usuario, Manual de servicio y otros documentos.</p>
	<p>El personal de servicio debe leer detenidamente el Manual del usuario y el Manual de servicio antes de trabajar en la unidad.</p>

POR SU SEGURIDAD, SIEMPRE DEBE TENER EN CUENTA LAS SIGUIENTES ADVERTENCIAS

- Este aparato está diseñado para ser utilizado por especialistas o usuarios capacitados en tiendas, industria ligera o granjas, o para uso comercial

por parte de personas no capacitadas.

- Este aparato puede ser utilizado por niños mayores de 8 años y personas con capacidades físicas, sensoriales o mentales reducidas o falta de experiencia y conocimiento, solo si han sido supervisados o han sido instruidos en la seguridad del uso del aparato y los peligros relacionados con él. Los niños no deben jugar con el aparato. La limpieza y el mantenimiento del aparato no deben ser realizados por niños a menos que estén supervisados.
- La unidad está diseñada para funcionar únicamente con gas R-290 (propano) como refrigerante.
- El circuito frigorífico está cerrado herméticamente. ¡Solo un técnico calificado puede realizar el servicio!
- No libere el refrigerante a la atmósfera.
- El R-290 (propano) es un gas inflamable y más pesado que el aire.
- Primero se acumula en espacios pequeños, pero puede ser dispersado por ventiladores.
- Si hay gas propano, o incluso si solo sospecha, no permita que personas no capacitadas intenten encontrar la causa de la fuga.
- El propano utilizado en la unidad es inodoro.
- La ausencia de olor no significa ausencia de fugas de gas.
- Si se detecta una fuga, evacúe inmediatamente a todas las personas de la tienda, ventile el área y comuníquese con el departamento de bomberos local para informar una fuga de propano.
- No permita que nadie vuelva a ingresar a la habitación hasta que un técnico calificado haya llegado al sitio y haya declarado que es seguro volver a ingresar a la habitación.
- No se deben usar llamas abiertas, cigarrillos u otras fuentes de ignición dentro o cerca del aparato.
- Los componentes están diseñados para propano y no producen llamas

ni chispas. Los componentes solo deben reemplazarse con piezas de repuesto idénticas.

EL INCUMPLIMIENTO DE ESTA ADVERTENCIA PODRÍA PROVOCAR UNA EXPLOSIÓN, LA MUERTE, LESIONES O DAÑOS A LA PROPIEDAD.

PARA SU SEGURIDAD



Su seguridad es lo más importante que nos importa! Lea atentamente este manual y comprenda completamente la información que contiene antes de comenzar a usar el deshumidificador.

PRECAUCIONES

PRECAUCIÓN: para reducir el riesgo de incendio, descarga eléctrica o lesiones personales y daños a la propiedad:

- Si el cable de alimentación está dañado, para evitar riesgos, debe ser reemplazado por el fabricante, su representante de servicio o una persona debidamente calificada.
- El dispositivo debe estar desconectado de la red eléctrica durante el mantenimiento.
- Conecte siempre el dispositivo a una red eléctrica con tensión, frecuencia y potencia iguales a las indicadas en la placa de identificación del producto.
- Utilice siempre un enchufe con conexión a tierra en la fuente de alimentación principal.
- Desenchufe el aparato cuando lo limpie o no esté en uso.
- No toque el dispositivo con las manos mojadas. No permita que se derrame agua sobre el dispositivo.
- No sumerja el dispositivo en agua u otro líquido y no lo exponga a la lluvia o la humedad.
- No deje el aparato funcionando sin supervisión. No incline ni vuelque la


unidad.


- No desconecte de la toma de corriente si el aparato está funcionando.
- No tire del cable de alimentación para desconectarlo de la toma de corriente.
- No utilice un cable de extensión o un enchufe con un adaptador.
- No coloque objetos en la unidad.
- No suba ni se siente sobre el dispositivo.
- No introduzca los dedos u otros objetos en las salidas de aire.
- No toque la entrada de aire ni las aletas de aluminio de la unidad.
- No utilice el aparato si se ha caído, dañado o muestra signos de mal funcionamiento.
- No limpie el dispositivo con sustancias químicas.
- Asegúrese de que la unidad esté ubicada a una distancia suficiente de llamas abiertas, objetos inflamables o explosivos.
- El aparato debe instalarse de acuerdo con las normas locales de conexión y cableado eléctrico.
- No utilice ningún medio para acelerar el proceso de descongelación o para la limpieza que no sean los recomendados por el fabricante.
- El aparato debe almacenarse en una habitación donde no haya fuentes de ignición en funcionamiento constante (por ejemplo, dispositivos con llama abierta, un aparato de gas en funcionamiento o una estufa eléctrica en funcionamiento).
- El dispositivo debe almacenarse de tal manera que no se permitan daños mecánicos.
- No lo corte ni queme incluso después de desechar el dispositivo.
- Tenga en cuenta que los refrigerantes pueden ser inodoros.
- Las tuberías deben estar protegidas contra daños físicos y no deben instalarse en áreas sin ventilación si dicho espacio es inferior a 4 m².
- Debe observarse el cumplimiento de las normas nacionales

relacionadas con el uso de gas.

- No bloquee ninguna abertura de ventilación.

El aparato debe almacenarse en áreas bien ventiladas y el tamaño de la habitación corresponde al área especificada en las instrucciones de funcionamiento.

 Cualquier persona involucrada en trabajar o manipular un circuito de refrigerante debe tener un certificado válido emitido por un organismo de evaluación acreditado por la industria que acredite su competencia para trabajar de manera segura con refrigerantes de acuerdo con los criterios de evaluación aceptados por la industria.

 El servicio debe realizarse de la manera recomendada por el fabricante del aparato. El servicio y las reparaciones que requieran la asistencia de otro personal calificado deben realizarse bajo la supervisión de una persona competente en el uso de refrigerantes inflamables. Si no entiende algo o necesita ayuda, comuníquese con los especialistas de servicio o con el distribuidor.

PRECAUCIONES DE SEGURIDAD DEL SERVICIO

Siga estas advertencias cuando haga lo siguiente cuando realice el mantenimiento del deshumidificador R290.

1. Inspecciones in situ

Antes de comenzar a trabajar en sistemas que contienen refrigerantes inflamables, se requieren controles de seguridad para garantizar que se minimice el riesgo de ignición. Al reparar el sistema de refrigeración, se deben observar las siguientes precauciones antes de trabajar en el sistema.

2. Procedimiento de trabajo

El trabajo debe llevarse a cabo bajo un procedimiento controlado para

minimizar el riesgo de que se liberen o estén presentes gases o vapores inflamables durante el trabajo.

3. Lugar de trabajo

Todo el personal de mantenimiento y otras personas que trabajen en el sitio deben recibir instrucciones sobre la naturaleza del trabajo antes de que se lleve a cabo. Debe evitarse el trabajo en espacios cerrados. El área alrededor del lugar de trabajo debe estar separada. Asegúrese de que las condiciones en el área sean seguras controlando el material inflamable.

4. Comprobación de la presencia de refrigerante.

El espacio debe comprobarse con un detector de refrigerante adecuado antes y durante el trabajo para garantizar que el técnico sea consciente de la posible presencia de una atmósfera inflamable. Deben utilizarse equipos de detección de fugas adecuados para su uso con refrigerantes inflamables, es decir, debe ser antichispa, estar adecuadamente sellado o tener medios incorporados para garantizar la seguridad.

5. Disponibilidad de un extintor

Si se van a realizar trabajos que impliquen el uso de llamas y calor en el equipo de refrigeración o piezas relacionadas, debe estar disponible un equipo de extinción de incendios adecuado. Un extintor de polvo seco o CO₂ debe estar disponible en el lugar de trabajo.

6. Falta de fuentes de ignición

Las personas que realicen trabajos relacionados con sistemas de refrigeración que incluyan tuberías expuestas que contengan o hayan contenido un refrigerante inflamable no deben utilizar fuentes de ignición de forma que pueda provocar un riesgo de incendio o explosión. Todas

las posibles fuentes de ignición, incluido el tabaquismo, deben estar lo suficientemente lejos del lugar de instalación, reparación, desmontaje y eliminación, durante el cual es posible que se libere refrigerante inflamable en el área circundante. Antes de comenzar a trabajar, se debe revisar el área alrededor del equipo para detectar la presencia de materiales inflamables o riesgos de ignición. Se deben colocar letreros de „Prohibido fumar“.

7. Habitación aireada

Asegúrese de que el espacio esté abierto o que haya suficiente ventilación antes de abrir el sistema o antes de realizar trabajos que impliquen el uso de llamas o calor. La ventilación debe continuar durante el tiempo que se esté realizando el trabajo. La ventilación debe dispersar de manera segura cualquier refrigerante liberado y, preferiblemente, expulsarlo a la atmósfera.

8. Comprobaciones de equipos de refrigeración

Cuando se van a reemplazar los componentes eléctricos, deben ser aptos para su propósito y tener las especificaciones correctas. Se deben seguir en todo momento las instrucciones del fabricante para el mantenimiento y el servicio. En caso de duda, consulte con el departamento técnico del fabricante para obtener ayuda.

En las instalaciones que utilicen refrigerantes inflamables se deben realizar las siguientes comprobaciones:

- La cantidad cargada debe ser acorde con el tamaño de la habitación en la que se instalen piezas que contengan refrigerante.
- Los equipos de ventilación y las salidas deben funcionar adecuadamente y no estar bloqueados.
- Si se usa un circuito de enfriamiento indirecto, se debe verificar si hay refrigerante en el circuito secundario.
- Las marcas del equipo permanecen visibles y legibles. Las marcas y

señales que sean ilegibles deben ser corregidas.

- La tubería o los componentes del refrigerante están instalados en un lugar donde la probabilidad de estar expuestos a cualquier sustancia que pueda causar la corrosión de los componentes que contienen el refrigerante es pequeña, a menos que los componentes estén hechos de materiales resistentes a la corrosión o estén adecuadamente protegidos contra corrosión.

9. Comprobaciones de aparatos eléctricos.

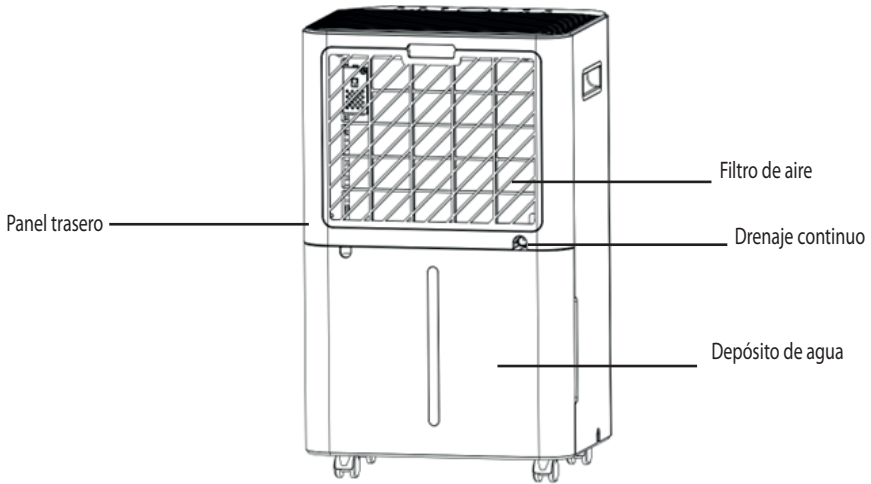
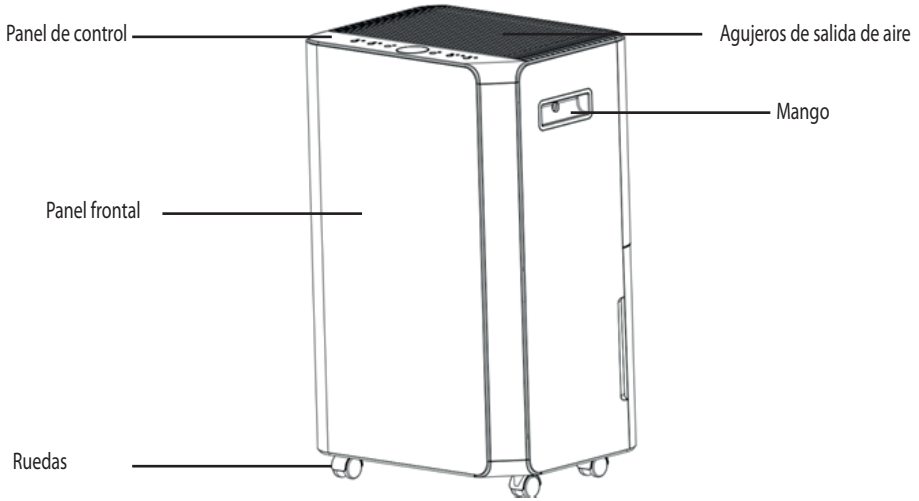
La reparación y el mantenimiento de los componentes eléctricos deben incluir comprobaciones de seguridad iniciales y procedimientos de inspección de los componentes. Si existe una falla que pueda comprometer la seguridad, no se debe conectar el suministro eléctrico al circuito a menos que se haya hecho satisfactoriamente. Si la falla no se puede corregir inmediatamente, pero el trabajo debe continuar, se debe utilizar una solución temporal adecuada. Se debe informar al propietario del equipo para que todas las partes sean notificadas.

Los controles de seguridad iniciales deben incluir:

- si los condensadores están descargados: esto debe hacerse de forma segura para evitar la posibilidad de formación de arcos.
- comprobar que no haya componentes eléctricos vivos ni cables expuestos durante la carga, restauración o purga del sistema.
- verifique la conexión a tierra.

DESCRIPCIÓN DEL APARATO

ASPECTO FRONTAL



FUNCIONES

- Potente eliminación de la humedad
- El indicador de humedad muestra la humedad del aire actual
- El modo automático ajusta automáticamente los niveles de humedad
- Temporizador de 24 horas para establecer el tiempo de trabajo
- Elimina eficazmente la humedad y el polvo del aire
- Bajo consumo de energía - eficiencia energética
- El ventilador silencioso tiene dos configuraciones de velocidad
- Desescarche automático a baja temperatura
- Apagado automático / Reinicio automático
- Gestión electrónica
- Función de secado de ropa
- Filtro de nailon
- Drenaje continuo o depósito de agua de 4,5 l.

MONTAJE

РАЗПОЛОЖЕНИЕ

1. Coloque la unidad sobre una superficie sólida y plana en un lugar con al menos 30 cm de espacio libre a su alrededor para una circulación de aire adecuada.

Nunca coloque el dispositivo en un lugar donde pueda estar bajo la influencia de:

- Fuentes de calor, por ejemplo, radiadores, medidores de calor, estufas u otros aparatos que emitan calor.
- En un área donde se pueda salpicar aceite o agua
- Luz solar directa
- Vibraciones mecánicas o impactos
- Polvo excesivo
- Falta de ventilación, por ejemplo, en armarios o estanterías



ADVERTENCIA

Coloque el dispositivo en habitaciones con un área de más de 4 m².

No instale la unidad en un lugar donde pueda haber fugas de gas inflamable.



NOTA

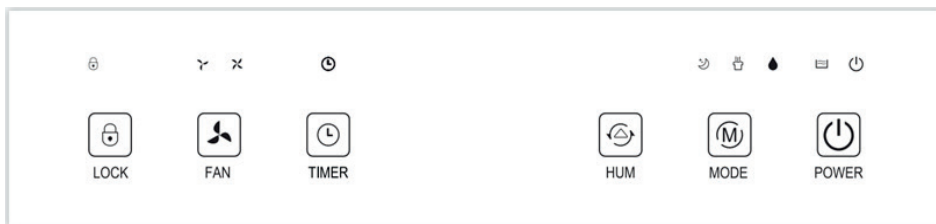
El fabricante puede proporcionar otros ejemplos adecuados o proporcionar información adicional sobre el olor del refrigerante.

FUNCIONAMIENTO SEGURO DEL DISPOSITIVO

- Compruebe la unidad después de desembalarla en busca de daños o arañazos.
- Opere este dispositivo a una temperatura ambiente de 5 °C a 35 °C.
- No lo use al aire libre. Este deshumidificador está diseñado únicamente para uso doméstico.
- No coloque la unidad cerca de paredes, cortinas u otros objetos que puedan obstruir las aberturas de entrada y salida de aire.
- No debe haber obstrucciones frente a las aberturas de entrada y salida de aire.
- Ajuste el deflector de chorro hacia arriba antes de comenzar.
- Si se ha inclinado más de 45°, deje la unidad en posición vertical durante al menos 24 horas antes de ponerla en marcha.
- Mantenga puertas y ventanas cerradas para conservar mejor la energía.
- No coloque ni guarde el dispositivo bajo la luz directa del sol o lluvia.
- Es normal que las salidas de aire se sientan calientes al tacto después de un funcionamiento prolongado en días calurosos.
- Vacíe el depósito de agua antes de mover el aparato.
- Asegúrese de que el depósito de agua esté colocado correctamente, de lo contrario el aparato no funcionará correctamente.
- El deshumidificador se inicia en el modo seleccionado la última vez que se utilizó el dispositivo.
- El deshumidificador comienza el secado si la humedad en la habitación es un 3% superior a la humedad seleccionada.
- Tiene un retardo del compresor de protección de 3 minutos. Espere 3 minutos para que el deshumidificador reanude el secado.

MODO DE USO

Panel de control



BOTONES DE FUNCIÓN E INDICADORES

1.	Botón POWER (encendido/apagado)	Toque este botón para encender o apagar la unidad.
2.	Botón Mode (Modo)	Toque este botón para seleccionar el modo deseado: Auto (Automático), Sleep (Reposo) y Continuous Dry (Secado continuo).
3.	Botón HUM	Toque este botón para ajustar el nivel de humedad y seleccionar un tiempo para el temporizador
4.	Botón Timer	Toque este botón para establecer una hora para iniciar y detener automáticamente el aparato.
5.	Botón Fan (Ventilador)	Toque este botón para seleccionar una velocidad del ventilador entre alta y baja.
6.	Botón Lock (Bloqueo de los botones)	Mantenga presionado el botón para activar o desactivar la función de bloqueo del botón de seguridad.
7.	Pantalla digital	Muestra el nivel de humedad, el ajuste del temporizador o la temperatura



Botón POWER (encendido/apagado)

En el estado de espera de la unidad, toque este botón para encender la unidad. El indicador de funcionamiento de la unidad se ilumina y la unidad comienza a funcionar con la velocidad del ventilador predeterminada de „alta“ y la humedad predeterminada del 50 %. Cuando la unidad esté funcionando, toque este botón para apagarla. El indicador de funcionamiento de la unidad se apaga y el compresor se detiene inmediatamente. El ventilador luego se apaga con un retraso de 30 segundos.



Botón Mode (Modo)

Toque el botón del modo de funcionamiento para cambiar entre el modo automático, el modo de reposo y el modo de secado.

Modo automático: cuando la humedad en el aire es superior al 3% o igual a la temperatura establecida, el ventilador comienza a funcionar y el compresor se enciende después de 3 segundos.

Cuando la humedad del aire es inferior al 3% o igual a la temperatura establecida, el compresor deja de funcionar y el ventilador se detiene después de 30 segundos.

Toque el botón HUM para ajustar el nivel de humedad en modo automático.

La velocidad del ventilador y la humedad configuradas en la unidad se pueden ajustar en el modo de funcionamiento automático.

Modo seco: el compresor funciona continuamente sin ser controlado por la humedad. La velocidad del ventilador se puede ajustar, pero el nivel de humedad no se puede configurar.

Modo de reposo: toque el botón de modo de reposo, el botón se ilumina y la función de reposo se enciende. Si no se realiza ninguna operación durante 10 segundos, todos los indicadores se apagan gradualmente y la velocidad del ventilador cambia automáticamente de alta a baja. Pulse cualquier botón para encender los indicadores. Toque el botón del modo de reposo nuevamente para salir de este modo.



Botón Timer (Temporizador)

Toque el botón del temporizador para configurar el aparato para que funcione a una hora específica, de 00 a 24 horas.

“88” comienza a parpadear en la pantalla y la unidad ingresa al modo de configuración de la hora del temporizador. Toque el botón HUM, el valor aumenta en 1 hora.

Cuando el electrodoméstico esté funcionando, use el temporizador para apagar periódicamente el electrodoméstico.

Cuando el aparato está en modo de espera, utilice el temporizador para encender el aparato periódicamente.

Para desactivar la función de temporizador, el valor a configurar es „00“.



Velocidad

Al tocar el botón, la velocidad cambia secuencialmente de alta a baja y se enciende el indicador correspondiente. En el modo de secado continuo, el modo de reposo y el período de descongelación, la velocidad del ventilador no se puede cambiar.



Función de bloqueo de botón de seguridad

Mantenga presionado el botón de bloqueo para activar o desactivar la función de bloqueo de botones.

DRENAJE

Alarma de depósito de agua lleno

Indicador del depósito de agua

- Cuando el depósito está lleno, al cabo de 5 segundos se activa la alarma. El indicador del depósito de agua se ilumina en rojo y suena 5 veces.

Desactivar la alarma

- Cuando la alarma sonora esté activada, toque cualquier botón para detenerla. El compresor y el ventilador se apagan y todas las funciones se detienen hasta que el depósito se vacía y vuelve a su lugar.

Hay dos formas de drenar el agua acumulada en el aparato.

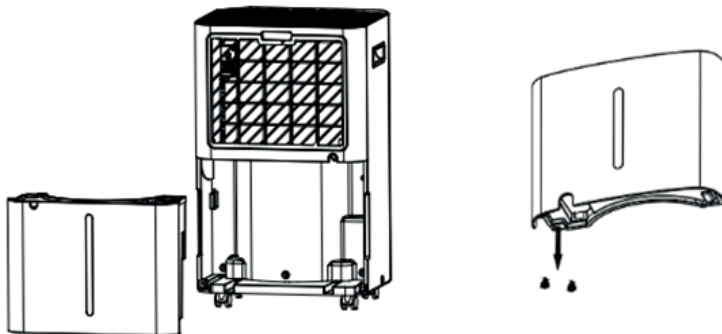
A. Vertido manual: vacíe manualmente el depósito de agua.

B. Drenaje continuo: drene el agua condensada a través de una manguera de drenaje.

VACIADO DEL DEPÓSITO DE AGUA

Cuando el depósito de agua incorporado en la unidad esté lleno, la unidad se apagará. El aparato volverá a funcionar cuando vacíe el depósito de agua y lo coloque correctamente.

- Cuando el depósito esté lleno, sonará un pitido y se encenderá el indicador de depósito lleno.
- Toque el botón POWER para apagar la unidad.
- Extraiga el depósito de agua (simplemente deslícelo) de la carcasa del deshumidificador.
- Vierta el agua en el desagüe o afuera.
- Limpie el depósito por dentro y por fuera.
- Vuelva a colocar el depósito vacío en el aparato.
- Pulse el botón POWER para reiniciar la unidad.
- Si el indicador de depósito lleno no se apaga, verifique que el flotador esté en su lugar.



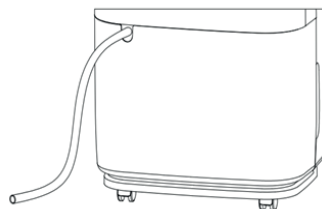
DRENAJE CONTINUO

Para un funcionamiento continuo o un secado sin supervisión, conecte la manguera de drenaje suministrada con la unidad. El agua condensada puede drenarse automáticamente en un balde o drenarse por gravedad.

- Coloque el dispositivo sobre una superficie horizontal y en una posición estable.
- Apague el aparato antes de funcionar.
- Conecte la manguera de desagüe de forma segura y correcta y asegúrese de que no esté torcida ni obstruida.
- Coloque el extremo de salida de la manguera sobre un desagüe o balde y asegúrese de que el agua pueda drenar libremente de la unidad.

No sumerja el extremo de la manguera en agua, de lo contrario puede causar un bloqueo de aire en la manguera.

Manguera de drenaje



Para evitar derrames de agua:

- Dado que la presión negativa de la bandeja de drenaje es grande, incline la manguera de drenaje hacia abajo. Es aceptable que la pendiente no supere los 20 grados.
- Retire la manguera y alísela para evitar que quede aire atrapado en la manguera.

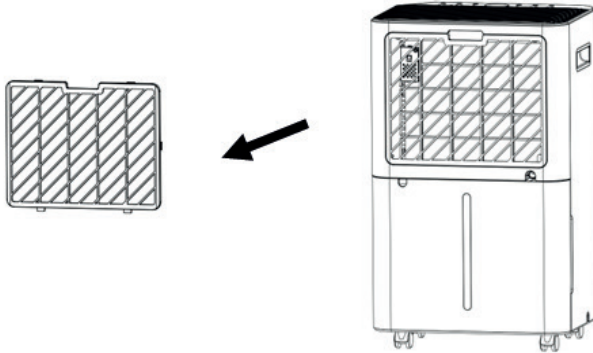
MANTENIMIENTO

LIMPIEZA DEL FILTRO DE AIRE (cada dos semanas)

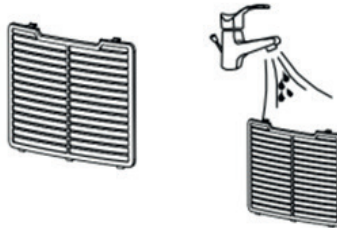
El polvo se acumula en el filtro y restringe el flujo de aire. El flujo de aire restringido reduce la eficiencia del sistema y, si se bloquea, puede dañar la unidad.

El filtro de aire requiere una limpieza regular. Los filtros de aire son extraíbles para facilitar la limpieza. No opere la unidad sin el filtro de aire ya que el vaporizador puede contaminarse.

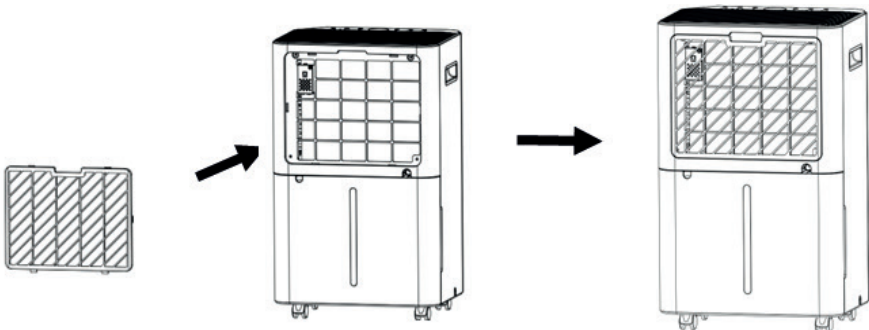
1. Retire el marco del filtro y retire el filtro.



2. Remoje el filtro en agua tibia (alrededor de 40°C). Lavar delicadamente con un detergente neutro. Use un cepillo de aspiradora para quitar suavemente el polvo del filtro.



3. Instale el filtro en la unidad.



SOLUCIÓN DE PROBLEMAS

1. Rango de temperatura de funcionamiento

5°C ≤ temperatura ambiente ≤ 35°C

Cuando la temperatura ambiente es inferior a 5°C o superior a 35°C, el deshumidificador deja de funcionar.

Cuando la temperatura ambiente es superior a 5°C e inferior a 16°C, el compresor inicia automáticamente la descongelación.

Durante la descongelación, el compresor se detiene y el ventilador sigue funcionando.

2. Antes de llamar a un servicio

Antes de ponerse en contacto con un servicio profesional, consulte la lista de soluciones a problemas comunes que no son causados por un defecto durante la producción o los materiales del aparato.

Problema	Causa posible	Solución
El dispositivo no funciona	No está conectado a la red eléctrica.	Enchufe el cable de alimentación en un tomacorriente adecuado
	El indicador de depósito lleno parpadea	Drene el agua del depósito de agua y regréselo a su lugar. Si no hay agua en el depósito, muévelo en el aparato para que se ponga en su lugar correcto y el indicador se apagará.
	La temperatura ambiente 5°C o 35°C	La función protectora del dispositivo se ha activado. A tal temperatura, el dispositivo no puede funcionar.
El dispositivo está funcionando mal	Compruebe si el filtro de aire está obstruido.	Limpie el filtro de aire siguiendo las instrucciones.
	Verifique que los conductos de admisión o escape no estén bloqueados.	Si es así, elimine la obstrucción del conducto de entrada o salida.
No entra aire	Compruebe si el filtro está obstruido.	Si es así, lave el filtro.
Se oye un ruido fuerte durante el funcionamiento.	Verifique que la unidad esté colocada sobre una superficie horizontal.	Si no está colocado sobre una superficie horizontal, muévelo.
	Compruebe si el filtro está obstruido	Si es así, lave el filtro
E1	Problema con el sensor de humedad	Reemplazo de sensor
LO	La humedad en el aire está por debajo del 20%.	El deshumidificador se apaga por protección
HI	La humedad en el aire es superior al 90%.	
CL	Protección de baja temperatura, temperatura del aire < 5 °C	
CH	Protección contra altas temperaturas, temperatura del aire > 35 °C	

DESMANTELAMIENTO**1. ALMACENAMIENTO**

Almacenamiento a largo plazo: si no utilizará la unidad durante un período prolongado (más de unas pocas semanas), es mejor limpiar la unidad y secarla por completo. Almacene la unidad siguiendo los pasos a continuación:

- Pulse el botón de encendido/apagado para apagar la unidad y desconecte el cable de alimentación.
- Drene el agua restante en el aparato.
- Limpie el filtro y déjelo secar completamente en un lugar sombreado.
- Recoja el cable de alimentación en el depósito de agua.
- Vuelva a instalar el filtro en su lugar.
- El aparato debe mantenerse en posición vertical cuando se almacena.
- Guarde la unidad en un lugar interior ventilado, seco y seguro, libre de gases corrosivos.

ATENCIÓN:

El vaporizador de la unidad debe secarse antes de embalar la unidad para evitar daños a los componentes y el crecimiento de moho. Apague la unidad y colóquela en un lugar seco y abierto durante unos días para que se seque. Otra forma de secar la unidad es establecer el valor de humedad un 5 % más alto que la humedad del aire ambiente para obligar al ventilador a secar el evaporador durante varias horas.

2. DESECHO

¡ADVERTENCIA!

¡La descarga de refrigerante a la atmósfera está estrictamente prohibida!

No deseche los aparatos eléctricos como residuos domésticos sin clasificar, aplique la recogida selectiva de residuos. Póngase en contacto con su autoridad local para obtener información sobre los sistemas de recogida de residuos disponibles. Si los aparatos eléctricos se desechan en vertederos o rellenos sanitarios, los desechos peligrosos pueden filtrarse a las aguas subterráneas y entrar en la cadena alimentaria, dañando la salud y el bienestar humanos.

Преди да започнете:





Прочетете инструкциите за употреба внимателно преди да използвате влагоабсорбатора за първи път.

ОПИСАНИЕ НА УРЕДА

Влагоабсорбаторът се използва за отстраняване на излишната влага от въздуха. Намалването в относителната влажност предпазва сградите и имуществото в тях от вредните ефекти на прекомерна влага.

Като охлаждащ агент се използва безвредният за околната среда R290. R290 няма вредно влияние върху озоновия слой (ODP), има пренебрежимо малък парников ефект (GWP) и се предлага по целия свят. Поради неговите ефективно енергийни качества R290 е много подходящ като охлаждащ агент в тези климатици. Трябва да се обмислят специални предпазни мерки поради силната запалимост на охлаждащия агент.

СИМВОЛИ, ПОСТАВЕНИ НА УРЕДА, И НАМИРАЩИ СЕ В УПЪТВАНЕТО ЗА УПОТРЕБА

	редът използва запалим охлаждащ агент. Ако има изтичане на охлаждащ агент и той влезе в контакт с огън или нагриващо устройство, ще се отдели вреден газ и ще има опасност от пожар.
	Внимателно прочетете тези инструкции преди употреба.
	Допълнителна информация можете да намерите в Ръководството за употреба, Сервизното ръководство и др. документи.
	Сервизният персонал трябва внимателно да прочете Ръководството за употреба и Сервизното ръководство преди да работят по уреда.

ЗА ВАШАТА БЕЗОПАСНОСТ ВИНАГИ ТРЯБВА ДА СЪБЛЮДАВАТЕ СЛЕДНИТЕ ПРЕДУПРЕЖДЕНИЯ

- Този уред е предназначен за използване от специалисти или обучени потребители в магазини, в леката промишленост или във ферми, или за комерсиална употреба от необучени лица.
- Този уред може да бъде използван от деца над 8 годишна възраст и лица с намалени физически, сензорни или ментални възможности или такива, които нямат опит и познания, само ако са наблюдавани или ако са инструктирани по отношение на безопасността при употребата на уреда и опасностите, свързани с нея. Децата не трябва да си играят с уреда. Почистването и обслужването на уреда не трябва да се извършват от деца, ако не бъдат наблюдавани.
- Уредът е предвиден да работи само с газ R-290 (пропан) като охлаждащ агент.
- Контурът на охлаждащия агент е херметично запечатан. Само квалифициран техник има право да извършва обслужване!
- Не изпускайте охлаждащия агент в атмосферата.
- R-290 (пропан) е запалим и по-тежък от въздуха газ.
- Той първо се събира в малки пространства, но може да се разнесе от вентилатори.
- Ако има газ пропан или дори ако само имате съмнения за това, не допускайте необучени лица да се опитват да открият причината за изтичането му.
- Пропанът, който се използва в уреда, няма мирис.
- Липсата на мирис не означава липса на изтичащ газ.
- Ако се открие теч, незабавно евакуирайте всички лица от магазина, проветрете помещението и се свържете с местната пожарна служба, за да им съобщите, че има изтичане на пропан.
- Не разрешавайте на никой да се връща в стаята, докато на място не

пристигне квалифициран техник и той не съобщи, че е безопасно връщането в стаята.

- В или в близост до уреда не трябва да се използват открит пламък, цигари или други източници на запалване.
- Компонентните части са проектирани за пропан и не са поддържащи пламъци и са безискрови. Компонентните части трябва да бъдат заменяни само с идентични резервни части.

АКО ТОВА ПРЕДУПРЕЖДЕНИЕ НЕ СМЕ СЪБЛЮДАВА, ТО БИ МОГЛО ДА ДОВЕДЕ ДО ЕКСПЛОЗИЯ, СМЪРТ, НАРАНЯВАНЕ ИЛИ МАТЕРИАЛНИ ЩЕТИ.

ЗА ВАШАТА БЕЗОПАСНОСТ



Вашата безопасност е най-важното, за което се грижим!

Моля, прочетете внимателно това упътване и разберете напълно информацията в него, преди да пристъпите към работа с влагоабсорбатора.

ПРЕДПАЗНИ МЕРКИ ПРИ РАБОТА


ВНИМАНИЕ – за намаляване на риска от пожар, токов удар или наранявания на лица и материални щети:


- Ако захранващият кабел е повреден, за да се избегнат рискове, той трябва да бъде сменен от производителя, негов сервизен представител или лице с нужната квалификация.
- Уредът трябва да бъде изключен от захранващата мрежа по време на техническо обслужване.
- Винаги включвайте уреда в електрическа мрежа с напрежение, честота и мощност, равни на посочените в идентификационната табелка на продукта.
- Винаги използвайте заземен контакт на електрозахранващата мрежа.
- Изключвайте уреда от контакта, когато ще го почиствате или няма да го използвате.
- Не пипайте уреда с мокри ръце. Не допускайте разливането на вода върху уреда.
- Не потапяйте уреда във вода или друга течност и не го излагайте на действието на дъжд и влага.
- Не оставяйте уреда да работи, без да го наблюдавате. Не накланяйте и не преобръщайте върху уреда.
- Не изключвайте от контакта на електрозахранващата мрежа, ако уредът работи.

- Не дърпайте захранващия кабел, за да го изключите от контакта.
- Не използвайте удължителен кабел или щепсел с адаптер.
- Не поставяйте предмети в уреда.
- Не се качвайте и не сядайте върху уреда.
- Не поставяйте пръстите си или други предмети в изходите за въздух.
- Не докосвайте входа за вход на въздух или алуминиевите ребра на уреда.
- Не включвайте уреда да работи, ако е паднал, повреден е или показва признаци на неизправна работа.
- Не почиствайте уреда с химически вещества.
- Уверете се, че уредът е разположен на достатъчно разстояние от открити пламъци, запалими или експлозивни предмети.
- Уредът трябва да бъде монтиран в съответствие с местните разпоредби за електрическо окабеляване и свързване.
- Не използвайте каквито и да е средства за ускоряване на процеса на размразяване или за почистване, различни от тези, препоръчани от производителя.
- Уредът трябва да бъде съхраняван в помещение, в което няма постоянно работещи източници на запалване (например устройства с открит пламък, работещ газов уред или работеща електрическа печка).
- Уредът трябва да се прибира така, че да не се допусне механична повреда.
- Не нарязвайте и не изгаряйте дори след излизане от употреба на уреда.
- Имайте предвид, че хладилните агенти може да нямат мирис.
- Тръбопроводите трябва да бъдат предпазени от физически увреждания и не трябва да се монтират на непроветриви места, ако такова пространство е по-малко от 4m².

- Трябва да бъде съблюдавано съответствието с националните разпоредби, свързани с употребата на газ.
- Не препречвайте всички вентилационни отвори.

Уредът трябва да се съхранява в добре вентилирани места и размерът на помещението съответства на площта, посочена в инструкциите за работа.

 Всяко лице, което е заето с работата по или намеса в хладилен контур, трябва да притежава валиден сертификат, издаден от акредитиран от отрасъла орган за оценка, който удостоверява неговата компетентност да работи безопасно с хладилни агенти в съответствие с приети от отрасъла критерии за оценка.

 Обслужването трябва да бъде изпълнявано по препоръчания от производителя на уреда начин. Обслужване и ремонти, които изискват помощта на друг квалифициран персонал, трябва да се изпълняват под наблюдението на човек, компетентен в употребата на запалими хладилни агенти. Ако не разбирате нещо или имате нужда от помощ, моля, свържете се със сервизни специалисти или с търговеца.

ПРЕДПАЗНИ МЕРКИ ЗА БЕЗОПАСНОСТ ПРИ ОБСЛУЖВАНЕ

Съблюдавайте следващите предупреждения, когато предприемате техническо обслужване на влагоабсорбатор с R290.

1. Проверки на място

Преди да започнете работа по системи, съдържащи запалими хладилни агенти, за да се гарантира, че рискът от запалване е сведен до минимум, са необходими проверки на безопасността. При ремонт на хладилната система трябва да се спазват следните предпазни мерки преди извършване на работа по системата.

2. Работна процедура

Работата трябва да се извършва по контролирана процедура, за да се сведе до минимум рискът от изпускане на запалим газ или пари или наличието им по време на извършване на работата.

3. Работно място

Целият персонал по поддръжката и другите работещи на мястото трябва да бъдат инструктирани за естеството на работата, преди нейното изпълнение. Работата в затворени пространства трябва да бъде избягвана. Областта около работното място трябва да бъде отделена. Уверете се, че условията в зоната е обезопасена чрез контролиране на запалимия материал.

4. Проверка за наличие на хладилен агент

Пространството трябва да бъде проверявано с подходящ детектор за хладилния агент преди и по време на работа, за да се гарантира, че техникът е наясно с евентуалното наличие на запалима атмосфера. Трябва да се използва оборудване за откриване на течове, което е подходящо за употреба със запалими хладилни агенти, т.е. трябва да е безискрово, адекватно уплътнено или да бъде с вградени средства за осигуряване на безопасността.

5. Наличие на пожарогасител

Ако по охлаждащото оборудване или свързани с него части ще бъдат изпълнявани работи, свързани с използване на пламък и нагряване, под ръка трябва да има подходящо пожарогасително оборудване. На работното място трябва да има пожарогасител със сух прах или CO₂.

6. Липса на източници на запалване

Лицата, изпълняващи работи, свързани с охлаждащи системи, които включват открити тръбопроводи, съдържащи или които са съдържали запалим хладилен агент, не трябва да използват източници на запалване по начин, който може да доведе до възникване на риск от пожар или експлозия. Всички възможни източници на запалване, включително пушене на цигари, трябва да бъдат достатъчно далеч от мястото на монтаж, ремонт, демонтиране и изхвърляне, по време на които е възможно да бъде отделен запалим хладилен агент в околността. Преди да пристъпите към работа, пространството около оборудването трябва да бъде проверено за наличие на запалими материали или рискове от запалване. Трябва да се поставят знаци "Пушенето забранено".

7. ВЕНТИЛИРАНО МЯСТО

Уверете се, че пространството е отворено или че има достатъчна

вентилация преди отваряне на системата или преди провеждане на работи, включващи използването на пламък или топлина. Вентилацията трябва да продължи през времето на изпълнение на работата. Вентилацията трябва безопасно да разпръсква всяко изпуснато количество хладилен агент и за предпочитане – да го изхвърля в атмосферата.

8. Проверки на охлаждащото оборудване

Когато ще се сменят електрически компоненти, те трябва да бъдат подходящи за целта и да имат правилните спецификации. През цялото време трябва да се следват указанията на производителя за поддръжка и сервиз. Ако имате някакво съмнение, консултирайте се с техническия отдел на производителя за помощ.

На инсталации, използващи запалими хладилни агенти, трябва да бъдат направени следните проверки:

- Зареденото количество трябва да е в съответствие с размера на помещението, в което се монтират части, съдържащи хладилен агент.
- Вентилационното оборудване и изходи трябва да работят адекватно и да не са блокирани.
- Ако се използва индиректен охлаждащ контур, вторичният контур трябва да бъде проверен за наличие на хладилен агент.
- Маркировките на оборудването са видими и четливи. Маркировките и знаците, които не са четливи, трябва да бъдат сменени.
- Тръбата за хладилния агент или компоненти са монтирани на място, където вероятността да бъдат изложени на въздействието на някаква субстанция, която може да предизвика корозия по компонентите, съдържащи хладилен агент, е малка, освен ако компонентите не са произведени от материали, които имат устойчивост към корозия или са подходящо защитени срещу корозия.

9. Проверки на електрическите устройства:

Ремонтът и поддръжката на електрическите компоненти трябва да включва първоначални проверки за безопасност и процедури за инспекция на компонентите. Ако съществува неизправност, която би могла да компрометира безопасността, електрическото захранване не трябва да бъде свързано към веригата, ако не е направен задоволително. Ако неизправността не може да се отстрани незабавно,

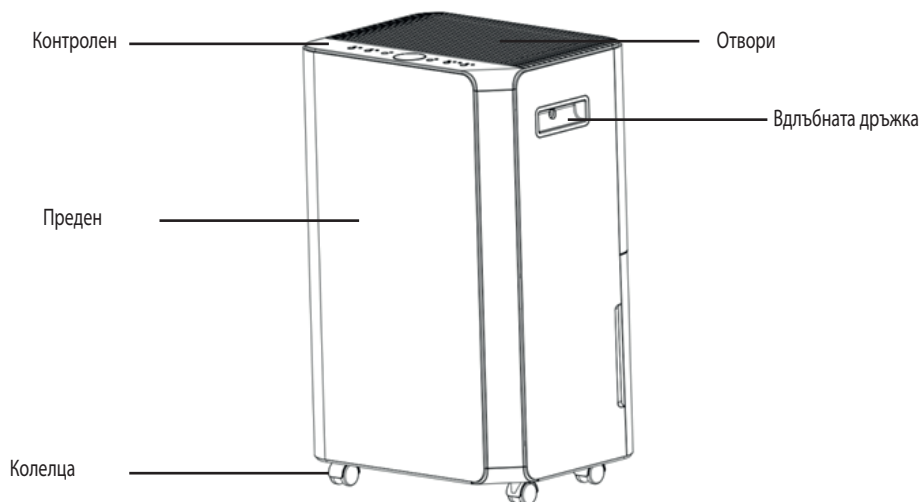
а е необходимо да продължи работата, трябва да се използва подходящо временно решение. Трябва да се докладва на собственика на оборудването, така, че всички страни да бъдат уведомени.

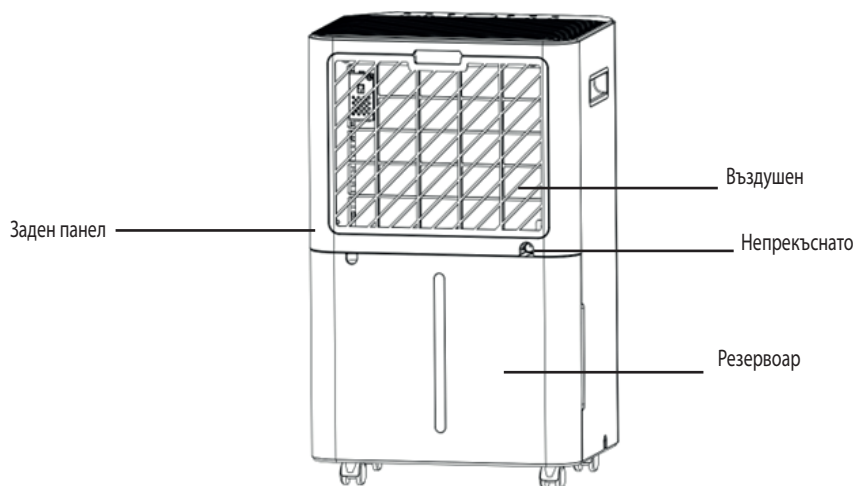
Първоначалните проверки на безопасността трябва да включват:

- Проверка, че кондензаторите са разредени: това ще се направи по безопасен начин, за да се избегне вероятността от искрене.
- Проверка, че няма електрически компоненти под напрежение и кабелите са открити сред зареждане, възстановяване или продухване на системата.
- Проверка, че заземяването на уреда е правилно.

ОПИСАНИЕ НА УРЕДА

Изглед отпред





ФУНКЦИИ

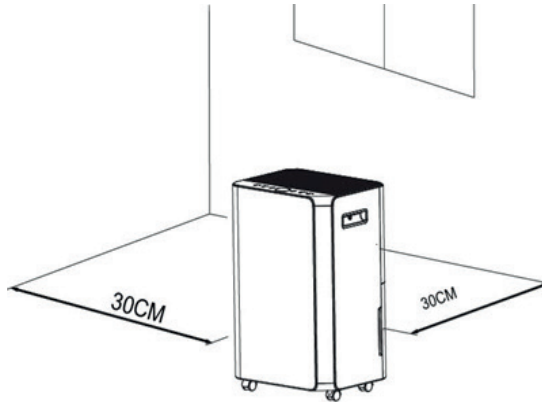
- Мощно абсорбиране на влагата
- Мониторът за влажност показва влагата във въздуха в момента
- Автоматичният режим регулира нивата на влага
- 24-часов таймер за настройка на времето на работа
- Ефективно абсорбиране на влагата и праха от въздуха
- Ниска консумирана мощност – енергийноефективен
- Тихият вентилатор има две настройки на скоростта
- Автоматично размразяване при ниска температура
- Автоматично изключване/автоматично рестартиране
- Електронно управление
- Функция за сушене на пране
- Найлонов филтър
- Непрекъснато източване или резервоар за вода 4,5 л.

МОНТАЖ

РАЗПОЛОЖЕНИЕ

- Поставете уреда на здрава, равна повърхност на място с поне 30cm свободно пространство около него, за да може въздухът правилно да циркулира.
- Никога не разполагайте уреда на място, където би могло да бъде под въздействието на:
- Източници на топлина, например радиатори, топломери, котлони или други уреди, които отделят топлина.
- В зона, където може да има пръски от масла или вода
- Пряка слънчева светлина
- Механични вибрации или удари
- Прекомерно запрашаване

- Липса на вентилация, например в шкафове или библиотечни шкафове



ПРЕДУПРЕЖДЕНИЕ

Разполагайте уреда в помещения, които са с площ над 4 m².
Не монтирайте уреда на място, където може да има изтичане на запалим газ.



ЗАБЕЛЕЖКА

Производителят може да предостави други подходящи примери или да предостави допълнителна информация относно мириса на охлаждащия агент.

БЕЗОПАСНА РАБОТА С УРЕДА

- Проверете уреда след разопаковането му за повреди или драскотини по него.
- Използвайте уреда при температура на околната среда от 5°C до 35°C.
- Не използвайте на открито. Този влагоабсорбатор е предназначен за употреба на закрито в жилищни помещения.
- Не поставяйте работещ уред в близост до стени, завеси или други предмети, които може да препречват входните и изходните отвори за въздух.
- Пред входните и изходните отвори за въздух не трябва да има препятствия.
- Регулиране на жалюзите в посока нагоре преди стартиране.
- Ако е бил наклонен на повече от 45°, оставете уреда изправен за поне 24 часа, преди да го стартирате.
- Дръжте вратите и прозорците затворени за по-ефективно енергоспестяване.
- Не използвайте и не съхранявайте уреда на пряка слънчева светлина или дъжд.
- Нормално е отворите за изходящ въздух да бъдат топли при допир след продължителна работа в горещи дни.
- Изпразнете резервоара за вода, преди да премествате уреда.
- Винаги поставяйте резервоара за вода по правилен начин, тъй като в противен случай уредът няма да работи правилно.
- Влагоабсорбаторът стартира в режима, който е бил избран при последното му използване.
- Влагоабсорбаторът започва да извлича влага, ако влагата в помещението е с 3% по-висока от зададената в уреда стойност за влага.
- Има време на закъснение от 3 минути за защита на компресора. Изчакайте 3 минути, за да започне извличането на влага от влагоабсорбатора.

НАЧИН НА УПОТРЕБА

Панел за управление



ФУНКЦИОНАЛНИ БУТОНИ И ИНДИКАТОРИ

1.	Бутон POWER (включване/изключване)	Докоснете този бутон, за да включите или изключите уреда.
2.	Бутон Mode (Режим)	Докоснете този бутон, за да изберете желан режим – Auto (Автоматичен), Sleep (Сън) и Continuous Dry (Непрекъснато изсушаване).
3.	Бутон HUM	Докоснете този бутон, за да регулирате нивото на влажност и за избор на час за таймера
4.	Бутон Timer	Докоснете този бутон, за да настроите час за автоматично стартиране и спиране на уреда.
5.	Бутон Fan (Вентилатор)	Докоснете този бутон, за да изберете скорост на работа на вентилатора между висока и ниска.
6.	Бутон Lock (Заклучване на бутоните)	Задръжте натиснат бутон, за да включите или изключите функцията за защитно блокиране на бутоните.
7.	Цифров дисплей	Показва нивото на влага, настройката на таймера или температурата.



Бутон POWER (включване/изключване)

В състояние на готовност на уреда докоснете този бутон, за да включите уреда. Индикаторът за работещ уред светва и уредът започва да работи със скорост на вентилатора по подразбиране „висока“ и влажност по подразбиране 50%. Когато уредът работи, докоснете този бутон, за да го изключите. Индикаторът за работещ уред угасва и компресорът спира незабавно. След това вентилаторът се изключва със забавяне от 30 секунди.



Бутон Mode (Режим)

Докоснете бутон за режим на работа, за да превключите между автоматичен режим, режим „сън“ и режим на изсушаване.

Автоматичен режим: когато влагата във въздуха е по-голяма с 3% или равна на зададената температура, вентилаторът започва да работи и компресорът се включва след 3 секунди.

Когато влагата във въздуха е по-малка с 3% или равна на зададената температура, компресорът спира да работи, а вентилаторът спира след 30 секунди.

Докоснете бутон HUM”  , за да регулирате нивото на влага в автоматичен режим.

Скоростта на вентилатора и влага, зададена в уреда, могат да се регулират в автоматичен режим на работа.

Режим на изсушаване: Компресорът работи постоянно, без да бъде управляван от влажността. Скоростта на вентилатора може да бъде регулирана, но не може да се зададе ниво на влажност.

Режим „Сън“: Докоснете бутона за режим „сън“, бутонът светва и се включва функцията за работа по време на сън. Ако в продължение на 10 секунди не се извърши действие, всички индикатори угасват постепенно и скоростта на вентилатора автоматично се превключва от висока на ниска. Натиснете който и да е бутон, за да светнат индикаторите. Докоснете отново бутона за режим „Сън“, за да излезе уредът от този режим.



Бутон Timer (Таймер)

Докоснете бутона за таймера, за да настроите уреда да работи в определено време – от 00 до 24 часа. Дисплей На дисплея започва да мига „88“ и уредът влиза в режим за настройка на часа на таймера. Докоснете бутона HUM, стойността се увеличава с 1 час.

Когато уредът работи, използвайте таймера за периодично изключване на уреда.

Когато уредът е в състояние на готовност, използвайте таймера за периодично включване на уреда.

За да се изключи функцията на таймера, стойността, която се задава е „00“.



Скорост

С докосването на бутона скоростта се променя последователно от висока на ниска и съответния индикатор светва. В режим на непрекъснато изсушаване режим „Сън“ и период на размразяване скоростта на вентилатора не може да се променя.



Функция за защитно блокиране на бутоните

Натиснете продължително бутона Lock, за да включите или изключите функцията за заключване на бутоните.

ИЗТОЧВАНЕ

Аларма за пълен резервоар за вода

Индикатор на резервоара за вода

Когато резервоарът се напълни, след 5 секунди се активира алармата. Индикаторът на резервоара за вода светва в червено и 5 пъти звукова аларма.

Изчистване на алармата

Когато звуковата аларма е включена, докоснете който и да е бутон, за да я спрете. Компресорът и вентилаторът се изключват и всички функции спират, докато резервоарът не се изпразни и не се върне на мястото му.

Има два начина за източване на събраната вода в уреда.

A. Ръчно изливане: Изпразнете ръчно резервоара за вода.

B. Непрекъснато източване: Източвайте кондензираната вода чрез маркуч за източване.

ИЗПРАЗВАНЕ НА РЕЗЕРВОАРА ЗА ВОДА

Когато вграденият резервоар за вода в уреда се напълни, уредът ще се изключи. Уредът ще започне да работи отново, когато изпразните резервоара за вода и го поставите правилно.

- Когато резервоарът се напълни, ще прозвучи звуков сигнал и ще светне индикаторът за пълен резервоар.
- Докоснете бутона POWER, за да изключите уреда.
- Издърпайте резервоара за вода (просто го плъзнете) от корпуса на влагоабсорбатора.
- Излейте водата в канала или навън.
- Почистете резервоара отвътре и отвън.
- Поставете празния резервоар отново в уреда.
- Натиснете бутона POWER, за да започне уредът да работи отново.
- Ако индикаторът за пълен резервоар не угасне, проверете дали поплавакът е на мястото си.

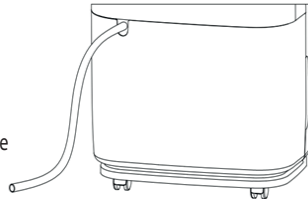


НЕПРЕКЪСНАТО ИЗТОЧВАНЕ

- При непрекъснатата работа или при абсорбиране без наблюдение от страна на човек свържете доставения маркуч за източване с уреда. Кондензираната вода може автоматично да се изтича в кофа или да се отича гравитачно.
- Поставете уреда на равна повърхност в стабилно положение.
- Изключете уреда преди да пристъпите към работа.
- Надеждно и по правилен начин свържете маркуча за източване и се уверете, че не е прегънат и в него няма препятствия.
- Поставете изходния край на маркуча над канал или кофа и се уверете, че водата може свободно да изтича от уреда.

Не потапяйте края на маркуча във вода, в противен случай това може да причини блокиране на въздух в маркуча.

Маркуч за източване



За избягване на разливане на вода:

Тъй като отрицателното налягане на тавата за източване е голямо, наклонете надолу маркуча за източване. Приемливо е наклонът да не надвишава 20 градуса.

Изтеглете маркуча и го изправете така, че да избегнете улавяне на въздух в маркуча.

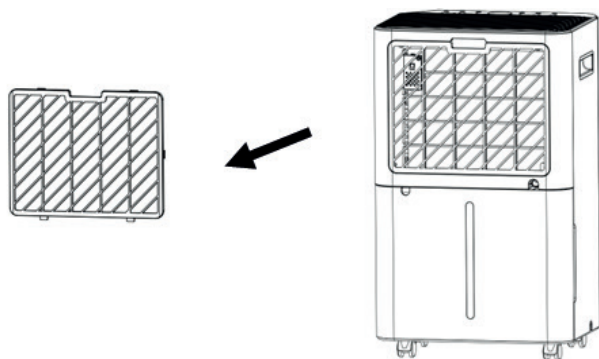
ПОДДРЪЖКА

ПОЧИСТВАНЕ НА ВЪЗДУШНИЯ ФИЛТЪР (на всеки две седмици)

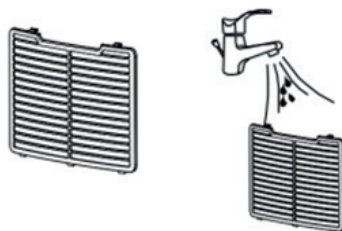
Прахът се събира по филтъра и ограничава въздушния поток. Ограниченият въздушен поток намалява ефективността на системата и ако тя се блокира, може да причини повреди на уреда.

Въздушните филтри изискват редовно почистване. Въздушните филтри са подвижни за лесно почистване. Не включвайте уреда без въздушния филтър, тъй като изпарителят може да се замърси.

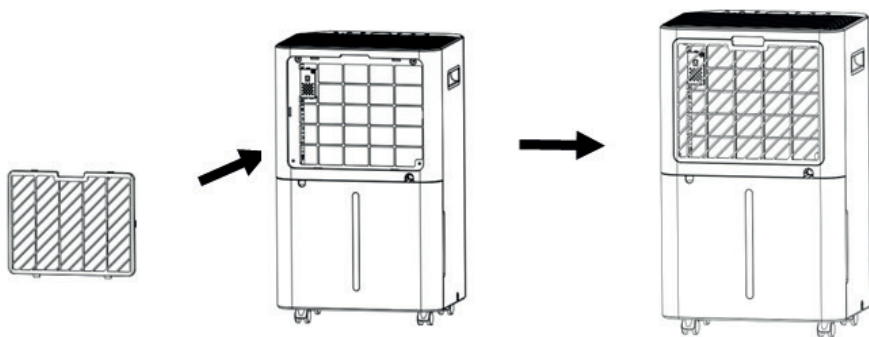
1. Извадете рамката на филтъра и свалете филтъра.



2. Накиснете филтъра в топла вода (около 40°C). Измийте внимателно с неутрален почистващ препарат. Използвайте четка на прахосмукачка, за да отстраните внимателно праха от филтъра.



3. Монтирайте филтъра в уреда.



ОТСТРАНЯВАНЕ НА НЕИЗПРАВНОСТИ

1. Диапазон на работната температура

$5^{\circ}\text{C} \leq \text{стайна температура} \leq 35^{\circ}\text{C}$

Когато стайната температура е по-ниска от 5°C или по-висока от 35°C , влагоабсорбаторът спира работата си.

Когато стайната температура е по-висока от 5°C и по-ниска от 16°C , компресорът автоматично се включва на размразяване. По време на размразяване компресорът спира, а вентилаторът продължава да работи.

2. Преди да се обърнете към сервис

Преди да се обърнете към професионален сервис, вижте списъка с решения на често срещани проблеми, които не са

причинени от дефект в изработката или материалите на уреда.

Проблем	Възможна причина	Решение
Уредът не работи	Не е включен към електрическата мрежа	Включете захранващия кабел в подходящ контакт
	Индикаторът за пълен резервоар мига	Излейте водата от резервоара за вода и го върнете на мястото му. Ако в резервоара няма вода, разместете го в уреда, за да легне на правилното си място и индикаторът ще изгасне.
	Температурата в помещението 5°C или 35°C	Активира се защитната функция на уреда. При такава температура уредът не може да работи.
Уредът работи лошо	Проверете дали е запушен въздушният филтър.	Почистете въздушния филтър, като следвайте инструкциите.
	Проверете дали не са запушени засмукващия или изходния въздуховод.	Ако е така, отстранете препятствието от засмукващия или изходния въздуховод.
Не се всмуква въздух	Проверете дали филтърът е запушен.	Ако е така, измийте филтъра.
По време на работа се чува силен шум.	Проверете дали уредът е поставен на хоризонтална повърхност.	Ако не е поставен на хоризонтална повърхност, преместете го.
	Проверете дали филтърът е запушен.	Ако е така, измийте филтъра.
E1	Проблем със сензора за влага	Смяна на сензор
LO	Влажността във въздуха е под 20%.	Влагоабсорбаторът се изключва с цел защита.
HI	Влажността във въздуха е над 90%.	
CL	Защита при ниска температура, температурата на въздуха < 5	
CH	Защита при висока температура, температурата на въздуха > 35	

ИЗВЕЖДАНЕ ОТ УПОТРЕБА

СЪХРАНЕНИЕ

Дългосрочно съхранение – Ако няма да използвате уреда продължителен период от време (повече от няколко седмици), най-добре е да почистите уреда и да го подсушите напълно. Приберете уреда, като изпълните следващите стъпки:

1. Натиснете бутона Power, за да изключите уреда, и изключете захранващия кабел.
2. Източете останалата в уреда вода.
3. Почистете филтъра и го оставете да изсъхне напълно на засенчено място.
4. Съберете захранващия кабел в резервоара за вода.
5. Монтирайте филтъра обратно на мястото му.
6. Уредът трябва да се държи в изправена позиция, когато се съхранява.

7. Съхранявайте уреда в проветриво, сухо безопасно място на закрито без наличието на корозивни газове.

ВНИМАНИЕ:

Изпарителят в уреда трябва да се изсуши, преди уредът да се опакова, за да се избегнат повреди по компонентите, както и да се избегне появата на плесен. Изключете уреда и го поставете в сухо, отворено място за няколко дни, за да изсъхне. Друг начин да изсушите уреда е, за да се зададе стойност на влажността по-голяма с 5% от влажността на околния въздух, за да се принуди вентилаторът да суши изпарителя за няколко часа.

ИЗХВЪРЛЯНЕ

ПРЕДУПРЕЖДЕНИЕ!

Източването на охлаждащ агент в атмосферата е строго забранено!

Не изхвърляйте електрическите уреди като несортирани битови отпадъци, прилагайте разделно събиране на отпадъци. Свържете се с местните власти за информация относно наличните системи за събиране на отпадъци. Ако електрическите уреди се изхвърлят в депа или сметища, опасни отпадъци могат да изтекат в подземните води и да навлязат в хранителната верига, увреждайки здравето и доброто физическо състояние на човека.

Înainte de prima utilizare:





Citiți cu atenție instrucțiunile de utilizare înainte de a utiliza dezumidificatorul pentru prima dată.

DESCRIEREA DISPOZITIVULUI

Dezumidificatorul se utilizează pentru a elimina excesul de umiditate din aer. Reducerea umidității relative protejează clădirile și bunurile din ele de efectele dăunătoare ale umidității excesive.

Ca agent de răcire se utilizează R290, care nu are niciun efect nociv asupra stratului de ozon (ODP), are un efect de seră neglijabil (GWP) și este disponibil în întreaga lume. Datorită proprietăților sale energetice eficiente, R290 este foarte potrivit ca agent frigorific în aceste aparate de aer condiționat. Trebuie luate măsuri speciale de precauție din cauza inflamabilității puternice a agentului frigorific.

SIMBOLURILE APLICATE PE APARAT ȘI CARE SE REGĂSESC ÎN MANUALUL DE INSTRUCȚIUNI

	<p>Aparatul utilizează un agent frigorific inflamabil. Dacă există o scurgere de agent frigorific și acesta intră în contact cu un foc sau cu un dispozitiv de încălzire, se va degaja un gaz nociv și va exista un pericol de incendiu.</p>
	<p>Citiți cu atenție aceste instrucțiuni înainte de utilizare.</p>
	<p>Informații suplimentare pot fi găsite în manualul de utilizare, în manualul de service și în alte documente.</p>
	<p>Personalul de service trebuie să citească cu atenție manualul de utilizare și manualul de service înainte de a lucra la unitate.</p>

PENTRU SIGURANȚA DUMNEAVOASTRĂ, TREBUIE SĂ RESPECTAȚI ÎNTOTDEAUNA URMĂTOARELE AVERTISMENTE

- Acest aparat este destinat utilizării de către profesioniști sau utilizatori calificați în magazine, în industria ușoară sau în ferme, sau pentru utilizare comercială de către persoane neinstruite.
- Acest aparat poate fi utilizat numai de copii cu vârsta de peste 8 ani și de persoane cu capacități fizice, senzoriale sau mentale reduse sau care nu au experiență și cunoștințe, dacă sunt supravegheate sau instruite cu privire la utilizarea în siguranță a aparatului și la pericolele asociate acestuia. Copiii nu trebuie să se joace cu aparatul. Curățarea și întreținerea aparatului nu trebuie să fie efectuate de copii decât sub supraveghere.
- Aparatul este proiectat să funcționeze numai cu gaz R-290 (propan) ca agent frigorific.
- Circuitul de refrigerare este închis ermetic. Numai un tehnician calificat este autorizat să efectueze service-ul!
- Nu eliberați agentul frigorific în atmosferă.
- R-290 (propan) este un gaz inflamabil și mai greu decât aerul.
- Se adună mai întâi în spații mici, dar poate fi împrăștiat de ventilatoare.
- Dacă este prezent gazul propan sau chiar dacă doar îl suspectați, nu permiteți ca persoane neinstruite să încerce să descopere cauza scurgerii.
- Propanul utilizat în unitate nu are miros.
- Lipsa mirosului nu înseamnă că nu există scurgeri de gaz.
- În cazul în care se constată o scurgere, evacuați imediat toate persoanele din magazin, aerisiți zona și contactați departamentul local de pompieri pentru a-i anunța că există o scurgere de propan.
- Nu permiteți nimănui să se întoarcă în încăperea până când un tehnician calificat nu ajunge la fața locului și nu raportează că este sigur să se

întoarce în încăpere.

- În interiorul sau în apropierea aparatului nu trebuie utilizate flăcări deschise, țigări sau alte surse de aprindere.
- Părțile componente sunt proiectate pentru propan și sunt ignifuge și neinflamabile. Componentele trebuie înlocuite numai cu piese de schimb identice.

DACĂ ACEST AVERTISMENT NU ESTE RESPECTAT, AR PUTEA DUCE LA EXPLOZIE, DECES, RĂNIRE SAU DAUNE MATERIALE.

PENTRU SIGURANȚA DVS.



Siguranța dumneavoastră este cel mai important lucru de care ne

Vă rugăm să citiți cu atenție acest manual și să înțelegeți pe deplin informațiile din el înainte de a proceda cu dezumidificatorul.

MĂSURI DE PRECAUȚIE ÎN TIMPUL FUNCȚIONĂRII


ATENȚIE – pentru a reduce riscul de incendiu, șocuri electrice sau vătămări corporale și daune materiale:

- În cazul în care cablul de alimentare este deteriorat, acesta trebuie înlocuit de către producător, reprezentantul său de service sau o persoană calificată pentru a evita riscurile.
- Aparatul trebuie să fie deconectat de la rețeaua electrică în timpul întreținerii.
- Conectați întotdeauna aparatul la o sursă de alimentare de la rețea cu tensiune, frecvență și putere egale cu cele indicate pe plăcuța de identificare a produsului.
- Utilizați întotdeauna o priză de rețea cu împământare.

- Scoateți aparatul din priză atunci când urmează să îl curățați sau nu îl utilizați.
- Nu atingeți aparatul cu mâinile umede. Nu vărsați apă pe aparat.
- Nu scufundați unitatea în apă sau în alte lichide și nu o expuneți la ploaie sau umiditate.
- Nu lăsați aparatul în funcțiune fără a-l monitoriza. Nu înclinați și nu răsturnați aparatul.
- Nu deconectați de la priză de curent dacă aparatul este în funcțiune.
- Nu trageți de cablul de alimentare pentru a-l deconecta de la priză.
- Nu utilizați un cablu prelungitor sau o priză cu adaptor.
- Nu introduceți obiecte în aparat.
- Nu vă urcați și nu vă așezați pe aparat.
- Nu introduceți degetele sau alte obiecte în gurile de aerisire.
- Nu atingeți admisia de aer sau lamelele de aluminiu ale aparatului.
- Nu folosiți aparatul dacă a fost scăpat, este deteriorat sau prezintă semne de funcționare defectuoasă.
- Nu curățați aparatul cu substanțe chimice.
- Asigurați-vă că aparatul este amplasat la o distanță suficientă față de flăcări deschise, obiecte inflamabile sau explozive.
- Aparatul trebuie să fie instalat în conformitate cu reglementările locale privind cablajul și conexiunile electrice.
- Nu utilizați alte mijloace de accelerare a procesului de dezghețare sau pentru curățare decât cele recomandate de producător.
- Aparatul trebuie depozitat într-o încăpere în care nu există surse permanente de aprindere (de exemplu, dispozitive cu flacără deschisă, un aparat cu gaz în funcțiune sau o sobă electrică în funcțiune).
- Aparatul trebuie să fie depozitat astfel încât să se evite deteriorarea mecanică.
- Nu tăiați și nu ardeți nici după ce aparatul nu mai este utilizat.

- Rețineți că este posibil ca agenții frigorifici să nu aibă miros.
- Conductele trebuie să fie protejate împotriva deteriorării fizice și nu trebuie instalate în zone neventilate dacă acest spațiu este mai mic de 4m².
- Trebuie respectată conformitatea cu reglementările naționale privind utilizarea gazelor.
- Nu obstrucționați toate deschiderile de ventilație.
- Aparatul trebuie depozitat în spații bine ventilate, iar dimensiunea încăperii trebuie să corespundă cu suprafața specificată în instrucțiunile de utilizare.

 Orice persoană care lucrează sau intervine pe o buclă de agent frigorific trebuie să dețină un certificat valabil eliberat de un organism de evaluare acreditat de industrie care să ateste competența sa de a lucra în siguranță cu agenți frigorifici în conformitate cu criteriile de evaluare acceptate de industrie.

 Întreținerea trebuie efectuată conform recomandărilor producătorului aparatului. Întreținerea și reparațiile care necesită asistență din partea altor persoane calificate trebuie efectuate sub supravegherea unei persoane competente în utilizarea de agenți frigorifici inflamabili. Dacă nu înțelegeți ceva sau dacă aveți nevoie de asistență, contactați profesioniștii din domeniul service-ului sau distribuitorul.

MĂSURI DE SIGURANȚĂ PENTRU ÎNTREȚINERE

Respectați următoarele avertismente atunci când efectuați lucrări de întreținere la un dezumidificator cu R290.

1. Verificări la fața locului

Înainte de a lucra la sisteme care conțin agenți frigorifici inflamabili, este necesar să se efectueze verificări de siguranță pentru a se asigura că riscul

de aprindere este minim. Atunci când se repară sistemul de refrigerare, trebuie respectate următoarele măsuri de precauție înainte de a lucra la sistem.

2. Procedura de lucru

Lucrările se efectuează în cadrul unei proceduri controlate pentru a reduce la minimum riscul ca un gaz sau vapori inflamabili să scape sau să fie prezenți în timpul executării lucrărilor.

3. Zona de lucru

Tot personalul de întreținere și celelalte persoane care lucrează la fața locului trebuie să fie informați cu privire la natura lucrărilor înainte de a le efectua. Trebuie evitată munca în spații închise. Zona din jurul zonei de lucru trebuie să fie separată. Asigurați-vă că condițiile din zonă sunt securizate prin controlul materialelor inflamabile.

4. Verificarea prezenței agentului frigorific

Spațiul trebuie verificat cu un detector de agent frigorific adecvat înainte și în timpul funcționării, pentru a se asigura că tehnicianul este conștient de posibila prezență a unei atmosfere inflamabile. Trebuie utilizat un echipament de detectare a scurgerilor care este adecvat pentru utilizarea cu agenți frigorifici inflamabili, adică trebuie să fie fără fum, să fie sigilat în mod corespunzător sau să aibă caracteristici de siguranță încorporate.

5. Prezența unui extingtor de incendiu

În cazul în care se vor efectua lucrări care implică utilizarea flăcării și a căldurii la echipamentele de răcire sau la piesele aferente, trebuie să existe un echipament adecvat de stingere a incendiilor. La locul de muncă trebuie să fie disponibil un extingtor cu pulbere uscată sau CO₂.

6. Absența surselor de aprindere

Persoanele care efectuează lucrări legate de sistemele de refrigerare care implică țevi expuse care conțin sau au conținut agent frigorific inflamabil nu trebuie să utilizeze surse de aprindere într-un mod care poate duce la

un risc de incendiu sau de explozie. Toate sursele posibile de aprindere, inclusiv fumatul țigărilor, trebuie să fie suficient de departe de locul de instalare, reparare, demontare și eliminare, în timpul cărora refrigerantul inflamabil poate fi eliberat în zona înconjurătoare. Înainte de a se trece la lucru, zona din jurul echipamentului trebuie verificată pentru a se stabili dacă există materiale inflamabile sau riscuri de aprindere. Ar trebui să fie afișate semnele „Fumatul interzis”.

7. SPAȚIU AERISIT

Asigurați-vă că spațiul este deschis sau că există o ventilație adecvată înainte de a deschide sistemul sau înainte de a efectua lucrări care implică utilizarea flăcării sau a căldurii. Ventilația trebuie să continue pe toată durata lucrărilor. Ventilația trebuie să disperseze în siguranță orice agent frigorific eliberat și, de preferință, să îl evacueze în atmosferă.

8. Verificări ale echipamentului de răcire

Atunci când componentele electrice trebuie înlocuite, acestea trebuie să fie adecvate scopului și să aibă specificațiile corecte. Instrucțiunile de întreținere și service ale producătorului trebuie respectate în permanență. În cazul în care aveți îndoieli, consultați departamentul tehnic al producătorului pentru asistență.

La instalațiile care utilizează agenți frigorifici inflamabili, trebuie efectuate următoarele verificări:

- Cantitatea încărcată trebuie să fie în conformitate cu dimensiunea spațiului în care sunt instalate piesele care conțin agent frigorific.
- Echipamentul de ventilație și ieșirile trebuie să funcționeze în mod adecvat și să nu fie blocate.
- În cazul în care se utilizează o buclă de răcire indirectă, bucla secundară trebuie să fie verificată pentru prezența agentului frigorific.
- Marcajele echipamentului trebuie să fie vizibile și lizibile. Marcajele și semnele care nu sunt lizibile trebuie să fie înlocuite.

- Conducta agentului frigorific sau componentele sunt instalate într-un loc în care există o probabilitate redusă de expunere la orice substanță care poate provoca coroziune pe componentele care conțin agent frigorific, cu excepția cazului în care componentele sunt fabricate din materiale care au rezistență la coroziune sau sunt protejate în mod corespunzător împotriva coroziunii.

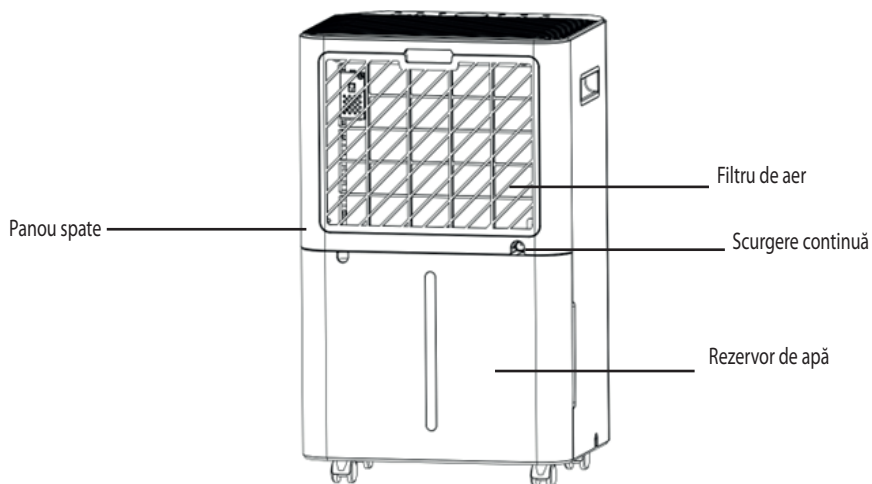
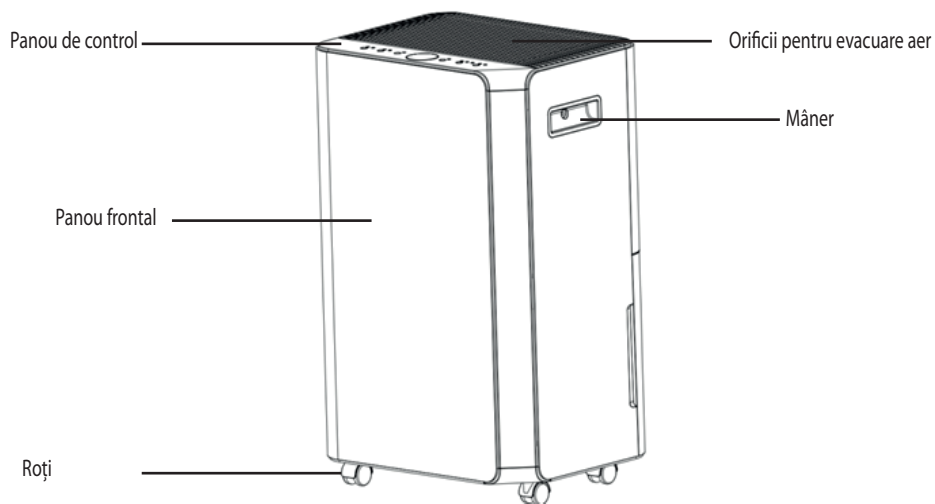
9. Verificări ale dispozitivelor electrice:

Repararea și întreținerea componentelor electrice ar trebui să includă verificări inițiale de siguranță și proceduri de inspecție a componentelor. În cazul în care există o defecțiune care ar putea compromite siguranța, alimentarea cu energie electrică nu ar trebui conectată la circuit decât dacă au fost luate măsuri satisfăcătoare. În cazul în care defecțiunea nu poate fi remediată imediat și este necesar să se continue funcționarea, trebuie utilizată o soluție temporară adecvată. Aceasta trebuie raportată proprietarului echipamentului, astfel încât toate părțile să fie notificate. Verificările inițiale de siguranță trebuie să includă:

- Verificați dacă condensatorii sunt degajați: acest lucru se va face într-un mod sigur pentru a evita posibilitatea producerii de arcuri electrice.
- Verificați dacă nu sunt expuse componente și cabluri electrice sub tensiune în timpul încărcării, recuperării sau purjării sistemului.
- Verificați dacă împământarea aparatului este corectă.

DESCRIEREA DISPOZITIVULUI

Partea frontală



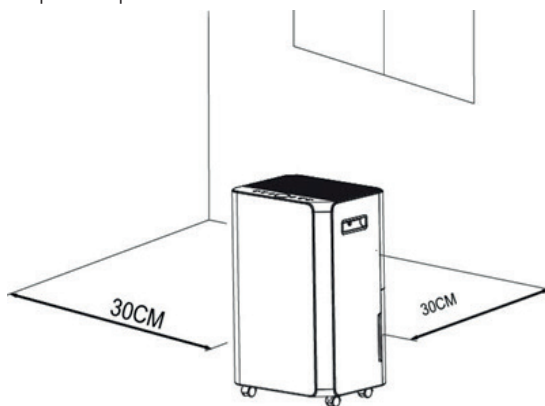
FUNȚII

- Absorbție puternică a umidității
- Monitorul de umiditate arată umiditatea din aer în acest moment
- Modul automat reglează nivelul de umiditate
- Cronometru de 24 de ore pentru a regla timpul de funcționare
- Absorbție eficientă a umidității și a prafului din aer
- Consum redus de energie - eficient din punct de vedere energetic
- Ventilatorul silențios are două setări de viteză
- Dezghețare automată la temperaturi scăzute
- Oprire automată/repornire automată
- Control electronic
- Funcție de uscare a rufelor
- Filtru din nailon
- Golire continuă sau rezervor de apă de 4,5 l

MONTARE

AMPLASAMENT

1. Așezați aparatul pe o suprafață fermă și plană, într-un loc cu cel puțin 30 cm de spațiu liber în jurul său pentru a permite aerului să circule în mod corespunzător.
2. Nu așezați niciodată aparatul într-un loc în care ar putea fi expus la:
 - Surse de căldură, cum ar fi radiatoare, contoare de căldură, sobe sau alte aparate care degajă căldură.
 - Într-o zonă în care pot exista stropi de ulei sau apă.
 - Lumina directă a soarelui
 - Vibrații mecanice sau impacturi
 - Praf excesiv
 - Lipsa de ventilație, de exemplu în dulapuri sau biblioteci



AVERTISMENT

Amplasați aparatul în încăperi cu o suprafață mai mare de 4 m².
Nu instalați aparatul într-un loc în care poate exista o scurgere de gaze inflamabile.



NOTĂ

Producătorul poate oferi alte exemple adecvate sau poate furniza informații suplimentare privind mirosul agentului frigorific.

OPERAREA ÎN SIGURANȚĂ A APARATULUI

- Inspectați aparatul după despachetare pentru a vedea dacă nu prezintă deteriorări sau zgârieturi pe el.
- Utilizați aparatul la o temperatură ambientă cuprinsă între 5°C și 35°C.
- Nu utilizați aparatul în aer liber. Acest dezumidificator este proiectat pentru utilizare în interior, în spații de locuit.
- Nu așezați aparatul în funcțiune lângă pereți, perdele sau alte obiecte care pot obstrucționa intrările și ieșirile de aer.
- Nu trebuie să existe niciun obstacol în fața orificiilor de intrare și ieșire a aerului.
- Reglați lamelele în direcția ascendentă înainte de pornire.
- Dacă a fost înclinat la mai mult de 45°, lăsați aparatul în poziție verticală timp de cel puțin 24 de ore înainte de a-l porni.
- Țineți ușile și ferestrele închise pentru o conservare mai eficientă a energiei.
- Nu utilizați și nu depozitați aparatul în lumina directă a soarelui sau în ploaie.
- Este normal ca orificiile de evacuare a aerului să fie calde la atingere după o funcționare prelungită în zilele călduroase.
- Goliți rezervorul de apă înainte de a muta aparatul.
- Așezați întotdeauna rezervorul de apă în mod corect, deoarece altfel aparatul nu va funcționa corespunzător.
- Dezumidificatorul pornește în modul care a fost selectat atunci când a fost utilizat ultima dată.
- Dezumidificatorul începe să extragă umezeala dacă umiditatea din încăpere este cu 3% mai mare decât umiditatea setată în aparat.
- Există un timp de întârziere de 3 minute pentru a proteja compresorul. Așteptați 3 minute pentru ca dezumidificatorul să înceapă să extragă umiditatea.

MOD DE UTILIZARE

Panou de control



BUTOANE FUNCȚIONALE ȘI INDICATORI

1.	Butonul POWER (pornit/oprit)	Apăsați acest buton pentru a porni sau opri aparatul.
2.	Butonul Mode (mod)	Apăsați acest buton pentru a selecta modul dorit - Auto, Sleep și Continuous Dry (Uscare continuă).
3.	Butonul HUM	Apăsați acest buton pentru a regla nivelul de umiditate și pentru a selecta durata temporizatorului
4.	Butonul Timer	Apăsați acest buton pentru a seta o oră pentru pornirea și oprirea automată a aparatului.
5.	Buton Fan (ventilator)	Apăsați acest buton pentru a selecta viteza ventilatorului între mare și mică.
6.	Butonul Lock (blocare)	Țineți apăsat acest buton pentru a activa sau dezactiva funcția de blocare a butonului de protecție.
7.	Afișaj digital	Afișează nivelul de umiditate, setarea temporizatorului sau temperatura.



Butonul POWER (pornit/oprit)

În starea de standby a aparatului, atingeți acest buton pentru a porni aparatul. Indicatorul de funcționare a aparatului se aprinde și aparatul începe să funcționeze cu viteza implicită a ventilatorului «mare» și umiditatea implicită de 50%. Când aparatul este în funcțiune, atingeți acest buton pentru a-l opri. Indicatorul luminos al aparatului în funcțiune se stinge și compresorul se oprește imediat. Ventilatorul se oprește apoi cu o întârziere de 30 de secunde.



Butonul Mode (Mod)

Atingeți butonul privind modul de funcționare pentru a comuta între modul automat, modul de repaus și modul uscat. Mod automat: atunci când umiditatea din aer este mai mare cu 3% sau egală cu temperatura setată, ventilatorul începe să funcționeze, iar compresorul pornește după 3 secunde.

Când umiditatea din aer este mai mică de 3% sau egală cu temperatura setată, compresorul se oprește și ventilatorul se oprește după 30 de secunde.



Apăsați butonul HUM⁺ , pentru a regla nivelul de umiditate în modul automat.

Viteza ventilatorului și umiditatea setată în unitate pot fi ajustate în modul de funcționare automată.

Mod de uscare: Compresorul funcționează continuu fără a fi controlat de umiditate. Viteza ventilatorului poate fi reglată, dar nivelul de umiditate nu poate fi setat.

Mod „Sleep”: Atingeți butonul pentru modul de veghe, butonul se aprinde și funcția de funcționare în stare de veghe este activată. Dacă nu se întreprinde nicio acțiune timp de 10 secunde, toți indicatorii se sting treptat și viteza ventilatorului trece automat de la mare la mică. Apăsați orice buton pentru a face să se aprindă indicatorii. Atingeți din nou butonul Sleep (Adormire) pentru a ieși din acest mod de funcționare a unității.



Butonul Timer (Temporizator)

Atingeți butonul de temporizare pentru a seta aparatul să funcționeze la un anumit interval de timp - de la 00 la 24 de ore. Afișajul începe să clipească „88” și aparatul intră în modul de setare a timpului de temporizare. Atingeți butonul HUM⁺, valoarea este incrementată cu 1 oră.

Când aparatul este în funcțiune, utilizați temporizatorul pentru a opri periodic aparatul.

Când aparatul este în standby, utilizați temporizatorul pentru a porni periodic aparatul.

Pentru a dezactiva funcția de temporizare, valoarea care trebuie setată este „00”.



Viteză

Prin simpla apăsare a unui buton, viteza se schimbă secvențial, de la mare la mică, iar indicatorul corespunzător se aprinde. În modul de dezumidificare continuă „Sleep” (Adormire) și în perioada de dezghețare, viteza ventilatorului nu poate fi modificată.



Funcția de blocare de protecție a butoanelor

Apăsați continuu butonul de blocare pentru a activa sau dezactiva funcția de blocare a butoanelor.

SCURGERE

Alarma pentru rezervorul de apă plin

Indicator pentru rezervorul de apă

- Când rezervorul este plin, alarma se activează după 5 secunde. Indicatorul rezervorului de apă se aprinde în roșu și alarma sună de 5 ori.

Stingerea alarmei

- Când alarma sonoră este pornită, atingeți orice buton pentru a o opri. Compresorul și ventilatorul sunt oprite și toate funcțiile se opresc până când rezervorul este golit și repus la locul său.

Există două moduri de a scurge apa colectată în unitate.

A. Golirea manuală.

B. Golire continuă: Evacuați apa condensată printr-un furtun de scurgere.

GOLIREA REZERVORULUI DE APĂ

Atunci când rezervorul de apă încorporat în aparat este plin, aparatul se va opri. Aparatul va începe să funcționeze din nou atunci când goliți rezervorul de apă și îl introduceți corect.

- Când rezervorul este plin, se va auzi un semnal sonor și se va aprinde indicatorul de rezervor plin.
- Atingeți butonul POWER pentru a opri unitatea.
- Scoateți rezervorul de apă (doar glisați-l) din carcasa dezumidicatorului.
- Turnați apa în canalul de scurgere sau în exterior.
- Curățați rezervorul în interior și în exterior.
- Așezați rezervorul gol înapoi în aparat.
- Apăsăți butonul POWER pentru a porni din nou aparatul.
- Dacă indicatorul rezervorului plin nu se stinge, verificați dacă flotorul este la locul lui.



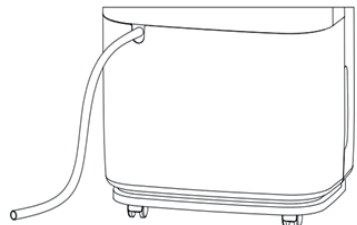
SCURGERE CONTINUĂ

În timpul funcționării continue sau atunci când se absoarbe fără supraveghere umană, conectați furtunul de scurgere furnizat la unitate. Apa condensată poate fi drenată automat într-o găleată sau drenată prin gravitație.

- Așezați aparatul pe o suprafață plană, într-o poziție stabilă.
- Opritiți aparatul înainte de a continua.
- Conectați furtunul de scurgere în mod sigur și corect și asigurați-vă că nu este îndoit și că nu există obstrucții.
- Așezați capătul de ieșire al furtunului deasupra unui canal de scurgere sau a unei găleți și asigurați-vă că apa poate ieși liber din aparat.

Nu scufundați capătul furtunului în apă, în caz contrar acest lucru poate cauza blocarea aerului în furtun.

Furtun de scurgere



Pentru a evita împrăștierea apei:

Deoarece presiunea negativă a vasului de scurgere este mare, înclinați furtunul de scurgere în jos. Este acceptabil ca înclinarea să nu depășească 20 de grade.

Scoateți furtunul și îndreptați-l pentru a evita reținerea de aer în furtun.

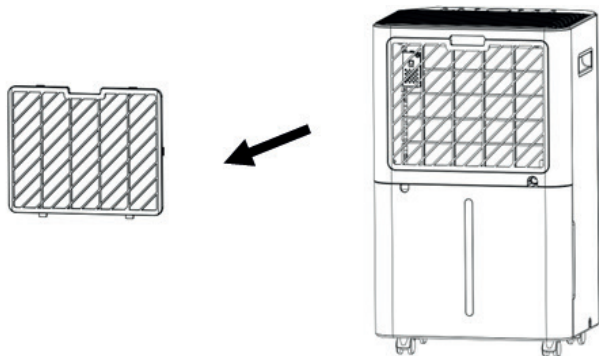
ÎNȚREȚINERE

CURĂȚAREA FILTRULUI DE AER (la fiecare două săptămâni)

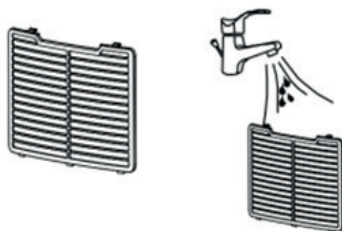
Praful se adună pe filtru și restricționează fluxul. Fluxul de aer restricționat reduce eficiența sistemului și, dacă se blochează, poate provoca deteriorarea aparatului.

Filtrele de aer necesită o curățare regulată. Filtrele de aer sunt detașabile pentru o curățare ușoară. Nu porniți aparatul fără filtrul de aer, deoarece evaporatorul poate fi contaminat.

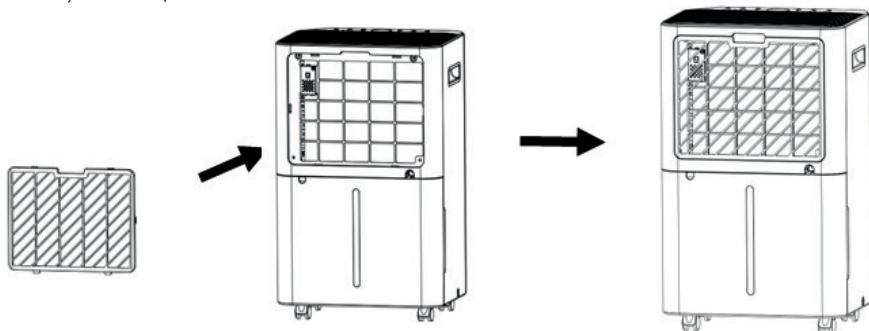
1. Îndepărtați rama filtrului și scoateți filtrul.



2. Înmuiați filtrul în apă caldă (aproximativ 40°C). Spălați-l bine cu detergent neutru. Folosiți o perie de aspirator pentru a îndepărta cu grijă praful de pe filtru.



3. Instalați filtrul în dispozitiv.



DEPANARE

1. Intervalul de temperatură de funcționare

5°C ≤ temperatura camerei ≤ 35°C

Atunci când temperatura camerei este mai mică de 5°C sau mai mare de 35°C, dezumidificatorul nu mai funcționează.

Atunci când temperatura camerei este mai mare de 5°C și mai mică de 16°C, compresorul trece automat la dezghețare. În timpul dezghețului, compresorul se oprește, iar ventilatorul continuă să funcționeze.

2. Înainte de a contacta un service

Înainte de a contacta un service de reparații profesionist, consultați lista de soluții pentru problemele comune care nu sunt cauzate de un defect de fabricație sau de materiale ale aparatului.

Problemă	Cauză posibilă	Soluție
Aparatul nu funcționează	Nu este conectat la rețea	Conectați cablul de alimentare la o priză adecvată
	Indicatorul rezervorului plin clipește	Scurgeți apa din rezervorul de apă și înlocuiți-l. Dacă nu există apă în rezervor, deplasați-l în unitate astfel încât să se afle la locul potrivit, iar indicatorul luminos se va stinge.
	Temperatura camerei e 5°C sau 35°C	Funcția de siguranță a aparatului s-a activat. Aparatul nu poate funcționa la această temperatură.
Aparatul funcționează defectuos	Verificați dacă filtrul de aer este infundat.	Curățați filtrul de aer urmând instrucțiunile.
	Verificați dacă nu sunt blocate conductele de admisie sau de evacuare a aerului.	Dacă este cazul, îndepărtați obstrucția din conducta de aspirație sau de evacuare a aerului.
Nu aspiră aer	Verificați dacă filtrul este blocat.	Dacă da, spălați filtrul.
În timpul funcționării se aude un zgomot puternic	Verificați dacă aparatul este așezat pe o suprafață plană.	Dacă acesta nu este amplasat pe o suprafață plană, mutați-l.
	Verificați dacă filtrul este infundat.	Dacă da, spălați filtrul.
E1	Problemă cu senzorul de umiditate	Înlocuiți senzorul
LO	Umiditatea din aer este sub 20%.	Dezumidificatorul este oprit pentru protecție.
HI	Umiditatea din aer este peste 90%.	
CL	Protecție la temperaturi scăzute, temperatura aerului < 5	
CH	Protecție la temperaturi scăzute, temperatura aerului > 35	

SCOATEREA DIN CIRCULAȚIE

DEPOZITARE

Depozitarea pe termen lung - Dacă nu veți utiliza aparatul pentru o perioadă lungă de timp (mai mult de câteva săptămâni), cel mai bine este să curățați aparatul și să îl uscați complet. Depozitați unitatea urmând pașii de mai jos:

1. Apăsăți butonul de alimentare pentru a opri aparatul și deconectați cablul de alimentare.

2. Scurgeți orice apă rămasă în aparat.
3. Curățați filtrul și lăsați-l să se usuce complet într-o zonă umbrită.
4. Colectați cablul de alimentare în rezervorul de apă.
5. Reinstalați filtrul.
6. Aparatul trebuie păstrat în poziție verticală atunci când este depozitat.
7. Depozitați aparatul într-un loc ventilat, uscat și sigur, în interior, ferit de gaze corozive.

ATENȚIE:

Evaporatorul din aparat trebuie să fie uscat înainte de ambalarea aparatului pentru a evita deteriorarea componentelor, precum și pentru a evita apariția mucegaiului. Opriti aparatul și plasați-l într-o zonă uscată și deschisă pentru câteva zile pentru a se usca. O altă modalitate de a usca aparatul este să setați o valoare a umidității mai mare cu 5% decât umiditatea ambientală pentru a forța ventilatorul să usuce evaporatorul timp de câteva ore.

DEBARASARE

AVERTISMENT!

Este strict interzisă evacuarea agentului frigorific în atmosferă!

Nu aruncați aparatele electrice ca deșeurii menajere nesortate, aplicați colectarea selectivă a deșeurilor. Contactați autoritățile locale pentru informații privind sistemele de colectare a deșeurilor disponibile. Dacă aparatele electrice sunt eliminate în depozite de deșeurii sau gropi de gunoi, deșeurile periculoase se pot scurge în apele subterane și pot intra în lanțul alimentar, dăunând sănătății și bunăstării oamenilor.





ΠΡΙΝ ΑΡΧΙΣΤΕ:

Διαβάστε προσεκτικά το εγχειρίδιο οδηγιών πριν χρησιμοποιήσετε τον αφυγραντήρα για πρώτη φορά.

ΠΕΡΙΓΡΑΦΗ ΤΗΣ ΣΥΣΚΕΥΗΣ

Ο αφυγραντήρας χρησιμοποιείται για την απομάκρυνση της υπερβολικής υγρασίας από τον αέρα. Η μείωση της σχετικής υγρασίας προστατεύει τα κτίρια και την περιουσία τους από τις βλαβερές συνέπειες της υπερβολικής υγρασίας. Ως ψυκτικό μέσο χρησιμοποιείται το φιλικό προς το περιβάλλον R290. Το R290 δεν έχει επιβλαβή επίδραση στη στοιβάδα του όζοντος (ODP), έχει αμελητέα επίδραση στο φαινόμενο του θερμοκηπίου (GWP) και είναι διαθέσιμο σε όλο τον κόσμο. Λόγω των αποτελεσματικών ενεργειακών ιδιοτήτων του, το R290 είναι πολύ κατάλληλο ως ψυκτικό μέσο σε αυτά τα κλιματιστικά. Πρέπει να εξεταστούν ειδικές προφυλάξεις λόγω της υψηλής ευφλεκτότητας του ψυκτικού μέσου.

ΣΥΜΒΟΛΑ ΠΟΥ ΤΟΠΟΘΕΤΟΥΝΤΑΙ ΣΤΗ ΣΥΣΚΕΥΗ ΚΑΙ ΠΟΥ ΒΡΙΣΚΟΝΤΑΙ ΣΤΟ ΕΓΧΕΙΡΙΔΙΟ ΧΡΗΣΗΣ

	<p>Η συσκευή χρησιμοποιεί εύφλεκτο ψυκτικό μέσο. Εάν υπάρχει διαρροή ψυκτικού μέσου και έρθει σε επαφή με φωτιά ή συσκευή θέρμανσης, θα απελευθερωθεί επιβλαβές αέριο και υπάρχει κίνδυνος πυρκαγιάς.</p>
	<p>Διαβάστε προσεκτικά αυτές τις οδηγίες πριν τη χρήση.</p>
	<p>Περισσότερες πληροφορίες μπορείτε να βρείτε στο Εγχειρίδιο χρήσης, Εγχειρίδιο σέρβις και άλλα έγγραφα.</p>
	<p>Το προσωπικό σέρβις θα πρέπει να διαβάσει προσεκτικά το Εγχειρίδιο χρήσης και το Εγχειρίδιο σέρβις πριν χρησιμοποιήσουν τη συσκευή.</p>

ΓΙΑ ΤΗΝ ΑΣΦΑΛΕΙΑ ΣΑΣ ΘΑ ΠΡΕΠΕΙ ΠΑΝΤΑ ΝΑ ΤΗΡΕΙΤΕ ΤΙΣ ΑΚΟΛΟΥΘΕΣ ΠΡΟΕΙΔΟΠΟΙΗΣΕΙΣ


- Αυτή η συσκευή προορίζεται για χρήση από επαγγελματίες ή εκπαιδευμένους χρήστες σε καταστήματα, στην ελαφριά βιομηχανία ή αγροκτήματα ή για εμπορική χρήση από ανειδίκευτα άτομα.
- Αυτή η συσκευή μπορεί να χρησιμοποιηθεί από παιδιά άνω των 8 ετών και άτομα με μειωμένες σωματικές, αισθητηριακές ή διανοητικές ικανότητες ή άτομα που δεν έχουν εμπειρία και γνώση, μόνο εάν επιβλέπονται ή έχουν λάβει οδηγίες για την ασφάλεια χρήσης της συσκευής και κινδύνους που σχετίζονται με αυτήν. Τα παιδιά δεν πρέπει να παίζουν με τη συσκευή. Ο καθαρισμός και η συντήρηση της συσκευής δεν πρέπει να εκτελούνται από παιδιά εκτός εάν επιβλέπονται.
- Η συσκευή είναι σχεδιασμένη να λειτουργεί μόνο με αέριο R-290 (προπάνιο) ως ψυκτικό μέσο.
- Το κύκλωμα του ψυκτικού υγρού είναι ερμητικά σφραγισμένο. Μόνο εξειδικευμένος τεχνικός επιτρέπεται να κάνει συντήρηση!
- Μην απορρίπτετε το ψυκτικό υγρό στην ατμόσφαιρα.
- Το R-290 (προπάνιο) είναι εύφλεκτο και βαρύτερο από τον αέρα αέριο.
- Συγκεντρώνεται πρώτα σε μικρούς χώρους αλλά μπορεί να κυκλοφορήσει από ανεμιστήρες.
- Εάν υπάρχει αέριο προπάνιο, ή ακόμα και αν έχετε μόνο υποψίες για αυτό, μην επιτρέψετε σε ανειδίκευτα άτομα να προσπαθήσουν να βρουν την αιτία της διαρροής.
- Το προπάνιο που χρησιμοποιείται στη συσκευή είναι άοσμο.
- Η μη ύπαρξη οσμής δε σημαίνει και μη διαρροή αερίου.
- Εάν διαπιστωθεί διαρροή, αμέσως εκκενώστε το κατάστημα από όλα τα άτομα, αερίστε το χώρο και επικοινωνήστε με την τοπική πυροσβεστική υπηρεσία για να τους ενημερώσετε ότι υπάρχει διαρροή προπανίου.
- Μην επιτρέψετε σε κανέναν να επιστρέφει στο δωμάτιο μέχρι να έρθει

κάποιος ειδικευμένος τεχνικός στο χώρο και να ανακοινώσει ότι είναι ασφαλές η επιστροφή στο δωμάτιο.

- Δεν πρέπει να χρησιμοποιούνται γυμνές φλόγες, τσιγάρα ή άλλες πηγές ανάφλεξης μέσα ή κοντά στη συσκευή.
- Τα εξαρτήματα είναι σχεδιασμένα για το προπάνιο, δεν υποστηρίζουν φλόγες και δεν προκαλούν σπινθήρες. Τα εξαρτήματα πρέπει να αντικαθίστανται μόνο με πανομοιότυπα ανταλλακτικά.

ΕΑΝ ΔΕΝ ΤΗΡΕΙΤΑΙ Η ΠΑΡΟΥΣΑ ΠΡΟΕΙΔΟΠΟΙΗΣΗ, ΑΥΤΟ ΘΑ ΜΠΟΡΟΥΣΕ ΝΑ ΠΡΟΚΑΛΕΣΕΙ ΕΚΡΗΞΗ, ΘΑΝΑΤΟ, ΤΡΑΥΜΑΤΙΣΜΟΥΣ Ή ΥΛΙΚΕΣ ΖΗΜΙΕΣ.

ΓΙΑ ΤΗΝ ΑΣΦΑΛΕΙΑ ΣΑΣ

 Η ασφάλεια σας είναι το πιο σημαντικό για το οποίο φροντίζουμε! Παρακαλούμε διαβάστε προσεκτικά αυτό το εγχειρίδιο και κατανοήστε πλήρως τις πληροφορίες αυτού πριν επιχειρήσετε να χρησιμοποιήσετε τη συσκευή σας.

ΠΡΟΣΤΑΤΕΥΤΙΚΑ ΜΕΤΡΑ ΚΑΤΑ ΤΗΝ ΕΡΓΑΣΙΑ

ΠΡΟΣΟΧΗ - για τη μείωση του κινδύνου πυρκαγιάς, ηλεκτροπληξίας ή τραυματισμού ατόμων και υλικών ζημιών:

- Εάν το καλώδιο τροφοδοσίας έχει υποστεί ζημιά για να αποφύγετε τους κινδύνους, πρέπει να αντικατασταθεί από τον κατασκευαστή, τον αντιπρόσωπο σέρβις του ή από πρόσωπο απαραίτητης ειδίκευσης.
- Η συσκευή πρέπει να αποσυνδεθεί από το δίκτυο τροφοδοσίας κατά τη διάρκεια της τεχνικής συντήρησης.
- Πάντα συνδέετε τη συσκευή στο ηλεκτρικό δίκτυο με τάση, συχνότητα και ισχύ ίση με εκείνες που αναγράφονται στην πινακίδα αναγνώρισης του προϊόντος.
- Πάντα χρησιμοποιήστε με γειωμένη πρίζα του δικτύου παροχής


ηλεκτρικού ρεύματος.


- Αποσυνδέετε τη συσκευή από την πρίζα όταν την καθαρίζετε ή δεν θα τη χρησιμοποιείτε.
- Μην αγγίζετε τη συσκευή με βρεγμένα χέρια. Μην επιτρέπετε το χύσιμο νερού πάνω στη συσκευή.
- Μην βυθίζετε τη συσκευή σε νερό ή άλλο υγρό και μην την εκθέτετε σε βροχή και υγρασία.
- Μην αφήνετε τη συσκευή να λειτουργεί χωρίς επιτήρηση. Μην γέρνετε και μην αναποδογυρίζετε τη συσκευή.
- Μην αποσυνδέετε τη συσκευή από την πρίζα του δικτύου παροχής ηλεκτρικού ρεύματος εάν η συσκευή λειτουργεί.
- Μην τραβάτε το καλώδιο τροφοδοσίας για να την αποσυνδέσετε από την πρίζα.
- Μην χρησιμοποιείτε καλώδιο προέκτασης ή βύσμα με προσαρμογέα.
- Μην τοποθετείτε αντικείμενα στη συσκευή.
- Μην ανεβαίνετε και μην κάθεστε πάνω στη συσκευή.
- Μην τοποθετείτε τα δάχτυλά σας ή άλλα αντικείμενα στις εξόδους αέρα.
- Μην αγγίζετε την είσοδο αέρα ή τα πτερύγια αλουμινίου της συσκευής.
- Μην ενεργοποιείτε τη συσκευή εάν έχει πέσει, έχει υποστεί ζημιά ή έχει ενδείξεις δυσλειτουργίας.
- Μην καθαρίζετε τη συσκευή με χημικά.
- Βεβαιωθείτε ότι η συσκευή βρίσκεται σε επαρκή απόσταση από ανοικτές φλόγες, εύφλεκτα ή εκρηκτικά αντικείμενα.
- Η συσκευή πρέπει να εγκατασταθεί σύμφωνα με τους τοπικούς κανονισμούς για την ηλεκτρική καλωδίωση και τη σύνδεση.
- Μην χρησιμοποιείτε άλλα μέσα για την επιτάχυνση της διαδικασίας απόψυξης ή για καθαρισμό διαφορετικά από αυτά που συνιστώνται από τον κατασκευαστή.
- Η συσκευή πρέπει να αποθηκεύεται σε χώρο όπου δεν υπάρχουν

μόνιμες πηγές ανάφλεξης (π.χ. συσκευές ανοικτής φλόγας, λειτουργούσα συσκευή αερίου ή ηλεκτρική εστία).

- Η συσκευή πρέπει να συμμαζεύεται κατά τέτοιο τρόπο ώστε να αποφεύγεται η μηχανική βλάβη.
- Μην κόβετε ή καίτε, ακόμη και μετά τη αχρηστία της συσκευής.
- Λάβετε υπόψη ότι τα ψυκτικά μέσα μπορεί να μην έχουν οσμή.
- Οι σωληνώσεις πρέπει να προστατεύονται από φυσικές βλάβες και δεν πρέπει να εγκαθίστανται σε μη αεριζόμενους χώρους εάν ο χώρος αυτός είναι μικρότερος από 4m².
- Πρέπει να τηρείται η συμμόρφωση με τους εθνικούς κανονισμούς, σχετικά με τη χρήση του αερίου.
- Μη φράζετε κανένα άνοιγμα εξαερισμού.

Η συσκευή πρέπει να αποθηκεύεται σε καλά αεριζόμενο χώρο και το μέγεθος του χώρου να αντιστοιχεί στην επιφάνεια που καθορίζεται στις οδηγίες χρήσης.

 Κάθε πρόσωπο που ασχολείται με την εργασία ή την παρέμβαση σε ψυκτικό κύκλωμα πρέπει να έχει έγκυρο πιστοποιητικό που εκδίδεται από αναγνωρισμένο από τον κλάδο φορέα εκτίμησης που πιστοποιεί την ικανότητά του να εργάζεται με ψυκτικά μέσα σύμφωνα με ειδικά κριτήρια εκτίμησης για κάθε κλάδο.

 Η συντήρηση πρέπει να πραγματοποιείται με τον τρόπο που συνιστά ο κατασκευαστής του προϊόντος. Η συντήρηση και οι επισκευές που απαιτούν τη συνδρομή άλλου εξειδικευμένου προσωπικού πρέπει να εκτελούνται υπό την επίβλεψη ενός προσώπου ικανού να χρησιμοποιεί εύφλεκτα ψυκτικά μέσα.

Αν δεν καταλαβαίνετε κάτι ή χρειάζεστε βοήθεια, επικοινωνήστε με τεχνικούς σέρβις ή τον έμπορο.

ΠΡΟΣΤΑΤΕΥΤΙΚΑ ΜΕΤΡΑ ΑΣΦΑΛΕΙΑΣ ΣΤΗΝ ΕΞΥΠΗΡΕΤΗΣΗ

Τηρείτε τις ακόλουθες προειδοποιήσεις κατά την εκτέλεση τεχνικής εξυπηρέτησης του αφυγραντήρα R290

1. Επιτόπιοι έλεγχοι

Απαιτούνται έλεγχοι ασφαλείας πριν από την έναρξη εργασιών σε συστήματα που περιέχουν εύφλεκτα ψυκτικά για να διασφαλιστεί ότι ο κίνδυνος ανάφλεξης ελαχιστοποιείται. Κατά την επισκευή του συστήματος ψύξης, πρέπει να τηρούνται οι ακόλουθες προφυλάξεις πριν από την εκτέλεση εργασίας στο σύστημα.

2. Διαδικασίες εργασιών

Οι εργασίες θα πρέπει να αναλαμβάνονται κάτω από ελεγχόμενες διαδικασίες για ελαχιστοποίηση του κινδύνου παρουσίας ενός εύφλεκτου αερίου ή ατμού κατά τη διάρκεια των εργασιών.

3. Τόπος εργασίας

Θα πρέπει να δοθούν οδηγίες σε όλο το προσωπικό συντήρησης καθώς και στα υπόλοιπα άτομα που εργάζονται στο χώρο για τη φύση των εργασιών που διεξάγονται. Θα πρέπει να αποφεύγονται η εργασία σε περιορισμένους χώρους. Ο χώρος γύρω από τον τόπο εργασίας θα πρέπει να είναι απομονωμένος. Βεβαιωθείτε ότι οι συνθήκες εντός του χώρου είναι ασφαλείς μέσω ελέγχου εύφλεκτου υλικού.

4. Έλεγχος για παρουσία ψυκτικού μέσου

Θα πρέπει να πραγματοποιείται έλεγχος του χώρου με κατάλληλο ανιχνευτή ψυκτικού πριν και κατά τη διάρκεια εργασιών, για να διασφαλιστεί ότι ο τεχνικός είναι ενήμερος για την παρουσία πιθανών εύφλεκτων υλικών στην ατμόσφαιρα. Πρέπει να χρησιμοποιείται εξοπλισμός εντοπισμού διαρροών, ο οποίος είναι κατάλληλος για χρήση με εύφλεκτα ψυκτικά μέσα, δηλ. πρέπει να είναι χωρίς σπινθήρες, να είναι κατάλληλα σφραγισμένος ή να έχει ενσωματωμένα μέσα για τη διασφάλιση

της ασφάλειας.

5. Παρουσία πυροσβεστήρα

Εάν πρέπει να πραγματοποιηθεί τυχόν εργασία που να εμπλέκει υψηλή θερμοκρασία στον εξοπλισμό του ψυκτικού ή σε άλλα εμπλεκόμενα μέρη, θα πρέπει να είναι διαθέσιμος ο κατάλληλος εξοπλισμός πυρόσβεσης. Στον τόπο εργασίας θα πρέπει να υπάρχει πυροσβεστήρα με ξηρή σκόνη ή CO₂.

6. Έλλειψη πηγών ανάφλεξης

Κανένα άτομο που διεξάγει εργασίες σχετικές με σύστημα ψυκτικού που περιλαμβάνει την έκθεση κάποιου σωλήνα που περιέχει ή περιείχε εύφλεκτο ψυκτικό, δεν θα πρέπει να χρησιμοποιεί οποιαδήποτε πηγή ανάφλεξης με τέτοιον τρόπο που να οδηγεί σε κίνδυνο πυρκαγιάς ή έκρηξης. Όλες οι πιθανές πηγές ανάφλεξης, συμπεριλαμβανομένου του καπνίσματος, θα πρέπει να κρατούνται αρκετά μακριά από το σημείο της εγκατάστασης, επιδιόρθωσης, αφαίρεσης ή διάθεσης, κατά τη διάρκεια των οποίων ενδέχεται να γίνει διαρροή εύφλεκτου υλικού στον περιβάλλοντα χώρο. Πριν από τη διενέργεια εργασιών, θα πρέπει να διερευνηθεί ο χώρος γύρω από τον εξοπλισμό για να διασφαλιστεί ότι δεν υπάρχουν κίνδυνοι ανάφλεξης ή πυρκαγιάς. Θα πρέπει να τοποθετηθούν πινακίδες «Απαγορεύεται το κάπνισμα».

7. ΑΕΡΙΖΟΜΕΝΟ ΜΕΡΟΣ

Βεβαιωθείτε ότι ο χώρος είναι ανοιχτός και κατάλληλα αεριζόμενος πριν επεμβαίνετε στο σύστημα ή διεξάγετε οποιαδήποτε εργασία που να εμπλέκει τη χρήση φλόγας ή θερμότητας. Ο εξαερισμός θα πρέπει να εξακολουθεί κατά τη διάρκεια διεξαγωγής των εργασιών. Ο εξαερισμός θα πρέπει να κατανέμει με ασφαλή τρόπο κάθε εκλυόμενο ψυκτικό και κατά προτίμηση να το αποβάλλει εξωτερικά, στην ατμόσφαιρα.

8. Έλεγχοι στον ψυκτικό εξοπλισμό

Όταν πραγματοποιείται αλλαγή στα ηλεκτρικά μέρη, θα πρέπει να είναι κατάλληλα για το σκοπό αυτό καθώς και σύμφωνα με τις προδιαγραφές.

Σε όλα τη διάρκεια θα πρέπει να ακολουθείτε τις οδηγίες συντήρησης και σέρβις του κατασκευαστή. Εάν έχετε οποιαδήποτε απορία, συμβουλευτείτε την τεχνική υποστήριξη του κατασκευαστή, για να λάβετε βοήθεια.

Θα πρέπει να εφαρμόζονται οι παρακάτω έλεγχοι στις εγκαταστάσεις που χρησιμοποιούν εύφλεκτα ψυκτικά:

- Η ποσότητα που φορτώθηκε πρέπει να αντιστοιχεί στο μέγεθος του χώρου στο οποίο εγκαθίστανται τα μέρη που περιέχουν ψυκτικό μέσο.
- Ο εξοπλισμός εξαερισμού και τα ανοίγματα εξόδου πρέπει να λειτουργούν επαρκώς και να μην φράζονται.
- Εάν χρησιμοποιείται κύκλωμα έμμεσης ψύξης, το δευτερεύον κύκλωμα πρέπει να ελέγχεται για την παρουσία ψυκτικού μέσου.
- Οι ενδείξεις του εξοπλισμού είναι ορατές και ευανάγνωστες. - Οι ενδείξεις και τα σήματα που δεν είναι ευανάγνωστα πρέπει να αντικατασταθούν.
- Ο σωλήνας ψυκτικού μέσου ή τα εξαρτήματα είναι εγκατεστημένα σε μέρος όπου η πιθανότητα να εκτεθούν στην επίδραση οποιασδήποτε ουσίας που μπορεί να προκαλέσει διάβρωση των συστατικών που περιέχουν ψυκτικό μέσο είναι μικρή, εκτός εάν τα εξαρτήματα είναι κατασκευασμένα από υλικά που είναι ανθεκτικά στη διάβρωση ή προστατεύονται επαρκώς από διάβρωση.

9. Έλεγχοι στα ηλεκτρικά συστήματα:

Στην επισκευή και συντήρηση των ηλεκτρικών συστημάτων περιλαμβάνονται οι αρχικοί έλεγχοι ασφαλείας και οι διαδικασίες ελέγχου των εξαρτημάτων. Εάν υπάρχει δυσλειτουργία που θα μπορούσε να θέσει σε κίνδυνο την ασφάλεια, η τροφοδοσία ηλεκτρικού ρεύματος δεν πρέπει να συνδεθεί στο κύκλωμα εάν δεν έχει γίνει ικανοποιητικά. Εάν η δυσλειτουργία δεν μπορεί να αποκατασταθεί αμέσως και η εργασία πρέπει να συνεχιστεί, θα πρέπει να χρησιμοποιηθεί μια κατάλληλη προσωρινή λύση. Πρέπει να αναφέρεται στον ιδιοκτήτη του εξοπλισμού, ώστε να ενημερώνονται όλα τα μέρη.

Οι αρχικοί έλεγχοι ασφαλείας πρέπει να περιλαμβάνουν τα εξής:

- Έλεγχος, ότι οι πυκνωτές έχουν αποφορτιστεί: αυτό θα γίνει με ασφαλή τρόπο για να αποφευχθεί η πιθανότητα πυροδότησης.
- Έλεγχος, ότι δεν υπάρχουν ηλεκτρικά εξαρτήματα με τάση και ότι τα καλώδια βρίσκονται κατά τη φόρτιση, αποκατάσταση ή εκκαθάριση συστήματος.
- Έλεγχος, ότι η γείωση της συσκευής είναι σωστή.

ΠΕΡΙΓΡΑΦΗ ΤΗΣ ΣΥΣΚΕΥΗΣ

Μπροστινή όψη

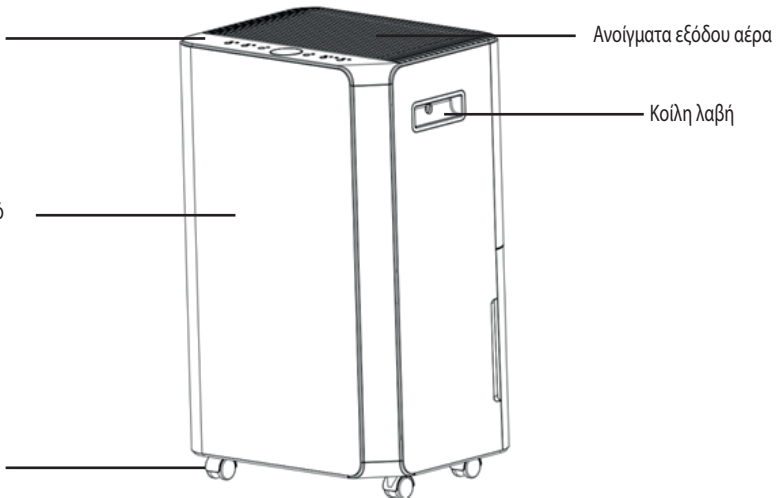
Πίνακας

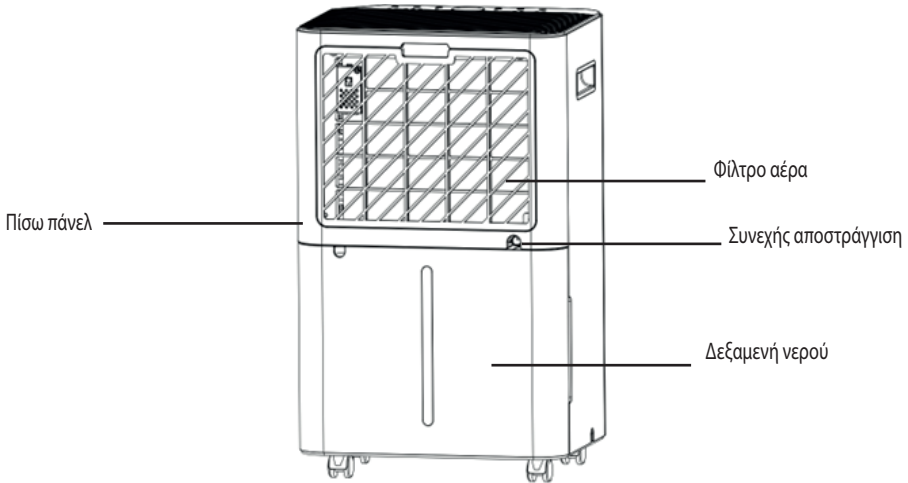
Ανοίγματα εξόδου αέρα

Μπροστινό

Κοίλη λαβή

Ροδάκια





3.2 ΛΕΙΤΟΥΡΓΙΕΣ

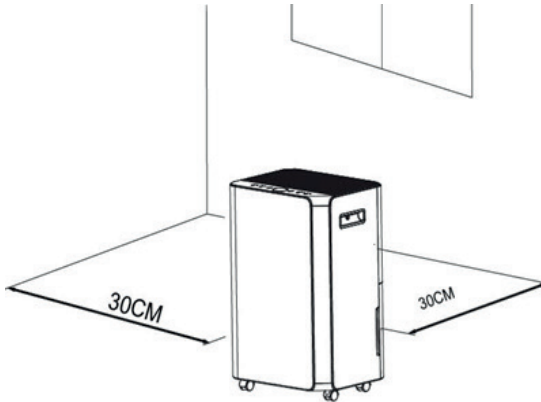
- Ισχυρή απορρόφηση υγρασίας
- Η οθόνη υγρασίας δείχνει την τρέχουσα υγρασία στον αέρα
- Η αυτόματη λειτουργία ρυθμίζει τα επίπεδα υγρασίας
- Χρονοδιακόπτης 24 ωρών για ρύθμιση του χρόνου λειτουργίας
- Αποτελεσματική απορρόφηση υγρασίας και σκόνης από τον αέρα
- Χαμηλή κατανάλωση ενέργειας - εξοικονόμηση ενέργειας
- Ο αθόρυβος ανεμιστήρας έχει δύο ρυθμίσεις ταχύτητας
- Αυτόματη απόψυξη σε χαμηλή θερμοκρασία
- Αυτόματη διακοπή / αυτόματη επανεκκίνηση
- Ηλεκτρονικός έλεγχος
- Λειτουργία στεγνώματος ρούχων
- Φίλτρο νάιλον

ΣΥΝΕΧΗΣ ΑΠΟΣΤΡΑΓΓΙΣΗ Η ΔΕΞΑΜΕΝΗ ΝΕΡΟΥ 4,5 Λ.

ΕΓΚΑΤΑΣΤΑΣΗ

ΤΟΠΟΘΕΣΙΑ

1. Τοποθετήστε τη συσκευή σε σταθερή, επίπεδη επιφάνεια με απόσταση τουλάχιστον 30 cm γύρω από αυτήν, ώστε ο αέρας να μπορεί να κυκλοφορήσει σωστά.
 - Μην τοποθετείτε ποτέ τη συσκευή σε μέρος όπου μπορεί να επηρεαστεί από:
 - Πηγές θερμότητας, όπως καλοριφέρ, μετρητές θερμότητας, εστίες ή άλλες συσκευές που εκπέμπουν θερμότητα.
 - Σε σημείο όπου ενδέχεται να υπάρχουν πιτσιλιές λαδιού ή νερού
 - Άμεσο ηλιακό φως
 - Μηχανικές δονήσεις ή κραδασμούς
 - Υπερβολική σκόνη
 - Έλλειψη αερισμού, για παράδειγμα σε ερμάρια ή βιβλιοθήκες

**ΠΡΟΕΙΔΟΠΟΙΗΣΗ**

Τοποθετήστε τη συσκευή σε χώρους μεγαλύτερους των 4 τ.μ.

Μην τοποθετείτε τη συσκευή σε χώρο όπου μπορεί να διαρρέυσει εύφλεκτο αέριο.

**ΣΗΜΕΙΩΣΗ**

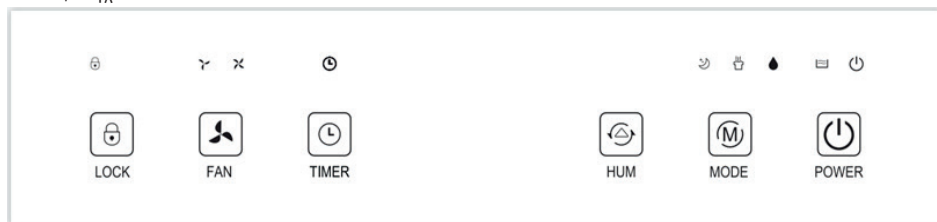
Ο κατασκευαστής μπορεί να παρέχει άλλα κατάλληλα παραδείγματα ή να παρέχει πρόσθετες πληροφορίες σχετικά με την οσμή του ψυκτικού.

ΑΣΦΑΛΗ ΛΕΙΤΟΥΡΓΙΑ ΤΗΣ ΣΥΣΚΕΥΗΣ

- Ελέγξτε τη συσκευή μετά την αποσυσκευασία για ζημιές ή γρατζουνιές σ' αυτή.
- Χρησιμοποιήστε τη συσκευή σε θερμοκρασία περιβάλλοντος από 5°C έως 35°C.
- Μη χρησιμοποιείτε σε υπαίθριους χώρους. Αυτός ο αφυγραντήρας έχει σχεδιαστεί για εσωτερική χρήση σε χώρους κατοικίας.
- Μην τοποθετείτε τη συσκευή κοντά σε τοίχους, κουρτίνες ή άλλα αντικείμενα που ενδέχεται να εμποδίσουν την είσοδο και την έξοδο αέρα.
- Δεν πρέπει να υπάρχουν εμπόδια μπροστά από τις εισόδους και τις εξόδους αέρα.
- Ρυθμίστε τις περισίδες προς τα πάνω πριν ξεκινήσετε.
- Εάν έχει γείρει περισσότερο από 45°, αφήστε τη συσκευή σε όρθια θέση για τουλάχιστον 24 ώρες πριν την εκκινήσετε.
- Κρατήστε τις πόρτες και τα παράθυρα κλειστά για πιο αποδοτική εξοικονόμηση ενέργειας.
- Μην χρησιμοποιείτε ή αποθηκεύετε τη συσκευή σε άμεσο ηλιακό φως ή βροχή.
- Είναι φυσιολογικό τα ανοίγματα εξόδου αέρα να είναι ζεστοί κατά το άγγιγμα μετά από παρατεταμένη λειτουργία σε ζεστές ημέρες.
- Αδειάστε τη δεξαμενή νερού πριν μετακινήσετε τη συσκευή.
- Τοποθετείτε πάντα τη δεξαμενή νερού με τον σωστό τρόπο, διαφορετικά η συσκευή δεν θα λειτουργεί σωστά.
- Ο αφυγραντήρας ξεκινά στη λειτουργία που επιλέχθηκε όταν χρησιμοποιήθηκε για τελευταία φορά.
- Ο αφυγραντήρας ξεκινά να εξαίγει υγρασία εάν η υγρασία στο δωμάτιο είναι 3% υψηλότερη από την τιμή υγρασίας που έχει οριστεί στη συσκευή.
- Υπάρχει χρόνος καθυστέρησης 3 λεπτών για την προστασία του συμπιεστή. Περιμένετε 3 λεπτά για να ξεκινήσει η εξαγωγή υγρασίας από τον αφυγραντήρα.

ΤΡΟΠΟΣ ΧΡΗΣΗΣ

Πίνακας ελέγχου



ΛΕΙΤΟΥΡΓΙΚΑ ΚΟΥΜΠΙΑ ΚΑΙ ΔΕΙΚΤΕΣ

1.	Κουμπί POWER (ενεργοποίησης/ απενεργοποίησης)	Αγγίξτε αυτό το κουμπί για να ενεργοποιήσετε ή να απενεργοποιήσετε τη συσκευή.
2.	Κουμπί Mode (Λειτουργία)	Αγγίξτε αυτό το κουμπί για να επιλέξετε την επιθυμητή λειτουργία - Auto (Αυτόματη), Sleep (Ύπνος) και Continuous Dry (συνεχούς στεγνώματος).
3.	Κουμπί HUM	Αγγίξτε αυτό το κουμπί για να ρυθμίσετε το επίπεδο υγρασίας και να επιλέξετε την ώρα για το χρονοδιακόπτη
4.	Κουμπί Timer	Αγγίξτε αυτό το κουμπί για να ρυθμίσετε μια ώρα αυτόματης εκκίνησης και διακοπής της συσκευής.
5.	Κουμπί Fan (ανεμιστήρας)	Αγγίξτε αυτό το κουμπί για να επιλέξετε μια ταχύτητα ανεμιστήρα μεταξύ υψηλής και χαμηλής.
6.	Κουμπί Lock (Κλειδωμα των κουμπιών)	Κρατήστε πατημένο το κουμπί για να ενεργοποιήσετε ή να απενεργοποιήσετε τη λειτουργία προστατευτικό κλειδώματος κουμπιών.
7.	Ψηφιακή οθόνη	Δείχνει το επίπεδο υγρασίας, τη ρύθμιση του χρονοδιακόπτη ή τη θερμοκρασία.



Κουμπί POWER (ενεργοποίησης/απενεργοποίησης)

Στην κατάσταση αναμονής της συσκευής, αγγίξτε αυτό το κουμπί για να ενεργοποιήσετε τη συσκευή. Η ένδειξη λειτουργίας της συσκευής ανάβει και η συσκευή ξεκινά να λειτουργεί με την προεπιλεγμένη ταχύτητα ανεμιστήρα «υψηλή» και την προεπιλεγμένη υγρασία 50%. Όταν η συσκευή λειτουργεί, αγγίξτε αυτό το κουμπί για να την απενεργοποιήσετε. Η ένδειξη λειτουργίας συσκευής σβήνει και ο συμπιεστής σταματά αμέσως. Στη συνέχεια, ο ανεμιστήρας σβήνει με καθυστέρηση 30 δευτερολέπτων.




Κουμπί Mode (Λειτουργία)

Αγγίξτε το κουμπί λειτουργίας για εναλλαγή μεταξύ της αυτόματης λειτουργίας, της λειτουργίας «ύπνου» και της λειτουργίας στεγνώματος.

Αυτόματη λειτουργία: όταν η υγρασία στον αέρα είναι μεγαλύτερη από 3% ή ίση με την καθορισμένη θερμοκρασία, ο ανεμιστήρας αρχίζει να λειτουργεί και ο συμπιεστής ανάβει μετά από 3 δευτερόλεπτα.

Όταν η υγρασία του αέρα είναι μικρότερη από 3% ή ίση με την καθορισμένη θερμοκρασία, ο συμπιεστής σταματά να λειτουργεί και ο ανεμιστήρας σταματά μετά από 30 δευτερόλεπτα.

Αγγίξτε το κουμπί HUM  «για να ρυθμίσετε το επίπεδο υγρασίας στην αυτόματη λειτουργία.

Η ταχύτητα και η υγρασία του ανεμιστήρα μπορούν να ρυθμιστούν σε αυτόματα λειτουργία.

Λειτουργία στεγνώματος: Ο συμπιεστής λειτουργεί συνεχώς χωρίς να ελέγχεται από την υγρασία. Η ταχύτητα του ανεμιστήρα μπορεί να ρυθμιστεί, αλλά το επίπεδο υγρασίας δεν μπορεί να ρυθμιστεί.

Λειτουργία «ύπνου»: Αγγίξτε το κουμπί της λειτουργίας «ύπνου», το κουμπί ανάβει και ενεργοποιείται η λειτουργία κατά τη διάρκεια του ύπνου. Εάν δεν εκτελεστεί λειτουργία για 10 δευτερόλεπτα, όλες οι ενδείξεις θα σβήσουν σταδιακά και η ταχύτητα του ανεμιστήρα θα αλλάξει αυτόματα από υψηλή σε χαμηλή. Πατήστε οποιοδήποτε κουμπί για να ανήψουν οι ενδείξεις. Αγγίξτε ξανά το κουμπί της λειτουργίας «ύπνου», για να βγει η συσκευή από την λειτουργία αυτή.



Κουμπί Timer (Χρονοδιακόπτης)

Αγγίξτε το κουμπί του χρονοδιακόπτη για να ρυθμίσετε τη συσκευή να λειτουργεί σε συγκεκριμένη ώρα - από 00 έως 24 ώρα. Οθόνη



Στην οθόνη αρχίζει να αναβοσβήνει το „88° και η συσκευή εισέρχεται στη λειτουργία ρύθμισης ώρας του χρονοδιακόπτη. Αγγίξτε το κουμπί HUM, η τιμή αυξάνεται κατά 1 ώρα.

Όταν η συσκευή λειτουργεί, χρησιμοποιήστε το χρονοδιακόπτη για να απενεργοποιείτε περιοδικά τη συσκευή.

Όταν η συσκευή βρίσκεται σε κατάσταση αναμονής, χρησιμοποιήστε το χρονοδιακόπτη για να ενεργοποιείτε τη συσκευή περιοδικά.

Για να απενεργοποιήσετε τη λειτουργία του χρονοδιακόπτη, η τιμή που έχει οριστεί είναι «00».



Ταχύτητα

Με το άγγιγμα του κουμπιού η ταχύτητα αλλάζει διαδοχικά από υψηλή σε χαμηλή και ανάβει η αντίστοιχη ένδειξη. Στη λειτουργία συνεχούς στεγνώματος, λειτουργία «ύπνος» και περίοδου απόψυξης, η ταχύτητα του ανεμιστήρα δεν μπορεί να αλλάξει.



Λειτουργία προστατευτικού μπλοκαρίσματος των κουμπιών

Πατήστε παρατεταμένα το κουμπί Lock για να ενεργοποιήσετε ή να απενεργοποιήσετε τη λειτουργία κλειδώματος των κουμπιών.

ΑΠΟΣΤΡΑΓΓΙΣΗ

Συναγερμός πλήρους δεξαμενής νερού

Ενδεικτική λυχνία της δεξαμενής νερού

- Όταν η δεξαμενή γεμίσει, μετά από 5 δευτερόλεπτα ενεργοποιείται ο συναγερμός. Η ενδεικτική λυχνία της δεξαμενής νερού ανάβει κόκκινο και ηχεί 5 φορές.

Διαγραφή του συναγερμού

- Όταν ο ηχητικός συναγερμός είναι ενεργοποιημένος, πατήστε οποιοδήποτε κουμπί για να τον σταματήσετε. Ο συμπιεστής και ο ανεμιστήρας απενεργοποιούνται και όλες οι λειτουργίες σταματούν μέχρι να αδειάσει η δεξαμενή και να επιστρέψει στη θέση της.

Υπάρχουν δύο τρόποι για την αποστράγγιση του συλλεγμένου νερού στη συσκευή.

A. Χειροκίνητο άδειασμα: Αδειάστε τη δεξαμενή νερού χειροκίνητα.

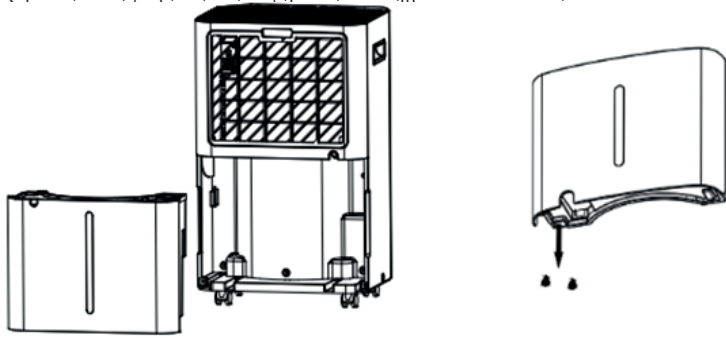
B. Συνεχής αποστράγγιση: Στραγγίστε το συμπυκνωμένο νερό μέσω ενός σωλήνα αποστράγγισης.

ΑΔΕΙΑΣΜΑ ΤΗΣ ΔΕΞΑΜΕΝΗΣ ΝΕΡΟΥ

Όταν η ενσωματωμένη δεξαμενή νερού στη συσκευή γεμίσει, η συσκευή θα σβήσει. Η συσκευή θα αρχίσει να λειτουργεί ξανά όταν αδειάσετε τη δεξαμενή νερού και την τοποθετήσετε σωστά.

- Όταν η δεξαμενή γεμίσει, η θα εκπέμψει ηχητικό σήμα και θα ανάψει η ενδεικτική λυχνία πλήρους δεξαμενής.

- Αγγίξτε το κουμπί POWER για να απενεργοποιήσετε τη συσκευή.
- Τρ
- Ρίξ
- Καί
- Το
- Πα
- Εάν



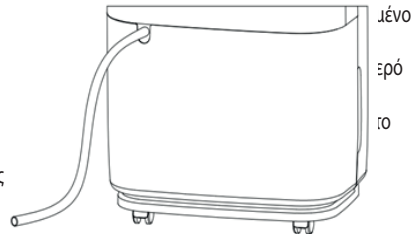
ΣΥΝΕΧΗΣ ΑΠΟΣΤΡΑΓΓΙΣΗ

Σε συνεχή λειτουργία ή απορρόφηση χωρίς επίβλεψη από κάποιον, συνδέστε τον εύκαμπο σωλήνα αποστράγγισης που παρέχεται με τη συσκευή. Το συμπυκνωμένο νερό μπορεί να στραγγίσει αυτόματα σε έναν κουβά ή να στραγγίσει από τη βαρύτητα.

- Τοποθετήστε τη συσκευή σε επίπεδη επιφάνεια σε σταθερή θέση.
- Απενεργοποιήστε τη συσκευή πριν ξεκινήσετε την εργασία.
- Συνδέστε με ασφαλές και σωστό τρόπο τον εύκαμπο σωλήνα και δεν έχει εμπόδια.
- Τοποθετήστε το άκρο εξόδου του εύκαμπτου σωλήνα πάνω αι μπορεί να αποστραγγιστεί ελεύθερα από τη συσκευή.

Μη βυθίζετε το άκρο του εύκαμπτου σωλήνα σε νερό, διαφορετικά σωλήνα.

Σωλήνας αποστράγγισης



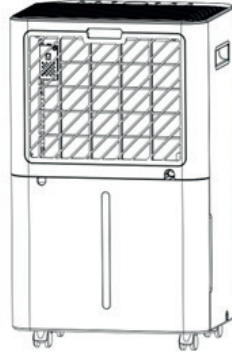
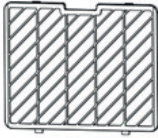
ΓΙΑ ΤΗΝ ΑΠΟΦΥΓΗ ΕΚΧΥΣΗΣ ΝΕΡΟΥ:

Επειδή η αρνητική πίεση του δίσκου αποστράγγισης είναι υψηλή, γείρετε το σωλήνα αποστράγγισης προς τα κάτω. Είναι αποδεκτό ότι η κλίση να μην υπερβαίνει τις 20 μοίρες

Τραβήξτε έξω τον εύκαμπο σωλήνα και ευθυγραμμίστε τον έτσι ώστε να αποφύγετε την παγίδευση αέρα στον εύκαμπο σωλήνα.

ΣΥΝΤΗΡΗΣΗ

ΚΑΘΑΡΙΣΜΟΣ ΤΟΥ Φ
Η σκόνη συλλέγεται
στη συσκευή και, εάν
τα φίλτρα αέρα απαι-
τούνται χωρίς το
1. Αφαιρέστε το π



αποδοτικότητα του
α. Μην ενεργοποιείτε

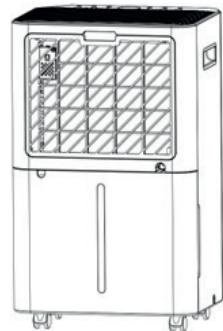
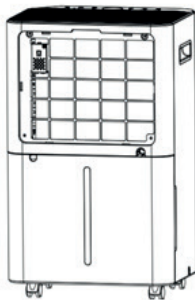
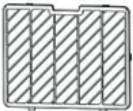
2. Μουλιάστε το φίλτρο σε ζεστό
Χρησιμοποιήστε μια βούρτσα ή λε



ζεστό απορρυπαντικό.
κόνη από το φίλτρο.



3.



ΑΝΤΙΜΕΤΩΠΙΣΗ ΔΥΣΛΕΙΤΟΥΡΓΙΩΝ

1. Εύρος θερμοκρασίας λειτουργίας

5°C ≤ θερμοκρασία δωματίου ≤ 35°C

Όταν η θερμοκρασία δωματίου είναι χαμηλότερη από 5°C ή υψηλότερη από 35°C, ο αφυγραντήρας σταματά να λειτουργεί.

Όταν η θερμοκρασία δωματίου είναι υψηλότερη από 5°C και χαμηλότερη από 16°C, ο συμπιεστής ξεκινά αυτόματα την απόψυξη. Κατά τη διάρκεια της απόψυξης, ο συμπιεστής σταματά και ο ανεμιστήρας συνεχίζει να λειτουργεί.

2. Πριν επικοινωνήσετε με ένα κέντρο σέρβις

Πριν επικοινωνήσετε με έναν επαγγελματία σέρβις, ανατρέξτε στη λίστα λύσεων σε κοινά προβλήματα που δεν προκαλούνται από ελάττωμα στην κατασκευή ή στα υλικά της συσκευής.

Πρόβλημα	Πιθανή αιτία	Λύση
Η συσκευή δε λειτουργεί	Δεν είναι συνδεδεμένη στο ηλεκτρικό δίκτυο	Συνδέστε το καλώδιο τροφοδοσίας σε κατάλληλη πρίζα
	Η ενδεικτική λυχνία πλήρους δεξαμενής αναβοσβήνει	Αδειάστε το νερό από τη δεξαμενή νερού και επιστρέψτε το στη θέση του. Εάν δεν υπάρχει νερό στη δεξαμενή, μετακινήστε το μέσα στη συσκευή ώστε να ακουμπήσει στη σωστή θέση και η ένδειξη να σβήσει.
	Η θερμοκρασία δωματίου 5°C ή 35°C	Η προστατευτική λειτουργία της συσκευής έχει ενεργοποιηθεί. Σε μια τέτοια θερμοκρασία, η συσκευή δεν μπορεί να λειτουργήσει.
Η συσκευή δυσλειτουργεί	Ελέγξτε εάν το φίλτρο αέρα είναι βουλωμένο.	Καθαρίστε το φίλτρο αέρα ακολουθώντας τις οδηγίες.
	Ελέγξτε εάν οι αγωγοί εισαγωγής ή εξαγωγής αέρα δεν είναι φραγμένοι.	Εάν ναι, αφαιρέστε το εμπόδιο από τον αγωγό εισαγωγής ή εξαγωγής αέρα.
Δεν απορροφάται ο αέρας	Ελέγξτε εάν το φίλτρο είναι βουλωμένο.	Εάν ναι, πλύνετε το φίλτρο.
Κατά τη λειτουργία ακούγεται ένας δυνατός θόρυβος.	Ελέγξτε ότι η συσκευή είναι τοποθετημένη σε οριζόντια επιφάνεια.	Εάν δεν είναι τοποθετημένο σε οριζόντια επιφάνεια, μετακινήστε την.
	Ελέγξτε εάν το φίλτρο είναι βουλωμένο.	Εάν ναι, πλύνετε το φίλτρο.
E1	Πρόβλημα αισθητήρα υγρασίας	Αντικατάσταση αισθητήρα

LO	Η υγρασία στον αέρα είναι κάτω από 20%.	Ο αφυγραντήρας απενεργοποιείται με σκοπό την προστασία.
HI	Η υγρασία στον αέρα είναι άνω από 90%.	
CL	Προστασία χαμηλής θερμοκρασίας, θερμοκρασία αέρα < 5	
CH	Προστασία χαμηλής θερμοκρασίας, θερμοκρασία αέρα > 35	

ΠΑΡΟΠΛΙΣΜΟΣ**8.1 ΑΠΟΘΗΚΕΥΣΗ**

Μακροχρόνια αποθήκευση - Εάν δεν θα χρησιμοποιείτε τη συσκευή για μεγάλο χρονικό διάστημα (περισσότερες από μερικές εβδομάδες), είναι καλύτερο να καθαρίσετε τη συσκευή και να την στεγνώσετε εντελώς. Αποθηκεύστε τη συσκευή ακολουθώντας τα παρακάτω βήματα:

1. Πατήστε το κουμπί Ισχύς για να απενεργοποιήσετε τη συσκευή και αποσυνδέστε το καλώδιο τροφοδοσίας.
2. Στραγγίστε το υπόλοιπο νερό στη συσκευή.
3. Καθαρίστε το φίλτρο και αφήστε το να στεγνώσει εντελώς σε σκιερό μέρος.
4. Τυλίξτε το καλώδιο τροφοδοσίας στη δεξαμενή νερού.
5. Τοποθετήστε το φίλτρο πίσω στη θέση του.
6. Η συσκευή πρέπει να διατηρείται σε όρθια θέση όταν αποθηκεύεται.
7. Φυλάσσετε τη συσκευή σε αεριζόμενο, στεγνό, ασφαλές μέρος σε κλειστό χώρο χωρίς διαβρωτικά αέρια.

ΠΡΟΣΟΧΗ:

Ο εξατμιστής στη συσκευή πρέπει να στεγνώσει πριν συσκευαστεί η συσκευή, προκειμένου να αποφευχθούν ζημιές στα εξαρτήματα καθώς και να αποφευχθεί η εμφάνιση μούχλας. Απενεργοποιήστε τη συσκευή και τοποθετήστε την σε ξηρό, ανοιχτό μέρος για λίγες μέρες για να στεγνώσει. Ένας άλλος τρόπος στεγνώματος της συσκευής είναι να ορίσετε μια τιμή υγρασίας μεγαλύτερη από το 5% της υγρασίας περιβάλλοντος για να αναγκάσετε τον ανεμιστήρα να στεγνώσει τον εξατμιστή για μερικές ώρες.

ΑΠΟΡΡΙΨΗ**ΠΡΟΕΙΔΟΠΟΙΗΣΗ!**

Απαγορεύεται αυστηρά η αποστράγγιση ψυκτικού μέσου στην ατμόσφαιρα!

Μην απορρίπτετε τις ηλεκτρικές συσκευές ως οικιακά απορρίμματα χωρίς διαλογή, εφαρμόστε ξεχωριστή συλλογή αποβλήτων. Επικοινωνήστε με τις τοπικές αρχές για πληροφορίες σχετικά με τα διαθέσιμα συστήματα για τη συλλογή αποβλήτων. Αν οι ηλεκτρικές συσκευές απορρίπτονται σε χώρους υγειονομικής ταφής ή χωματερές, τα επικίνδυνα απόβλητα μπορούν να διαρρεύσουν στα υπόγεια ύδατα και να εισέλθουν στην τροφική αλυσίδα, καταστρέφοντας την υγεία και την καλή φυσική κατάσταση των ανθρώπων.

ПРОИЗВОДИТЕЛ И ВНОСИТЕЛ:

Кетен ООД; ЕИК: BG123670208; София, п.к. 1836, бул. Владимир Вазов № 39, ет. 7;
Телефон: +359 2 8691023; Факс: +359 2 8691025; e-mail: sales@keten.bg; www.keten.bg

MANUFACTURER AND IMPORTER:

Keten LTD.; VAT: BG123670208; fl. 7, 39 Vladimir Vazov blvd., 1836, Sofia, Bulgaria
Phone: +359 2 8691023; Fax: +359 2 8691025; e-mail: sales@keten.bg; www.keten.bg



EN: The symbol means that the product should not be disposed of with household waste in order to avoid environmental contamination and human injury. Take the appliance to a specialist recycling center for electrical appliances. / **FR:** El símbolo significa que el producto no debe desecharse con la basura doméstica para evitar contaminación ambiente et lésions humaines. Lleve el aparato a un centro de reciclaje especializado en electricidad. accessoires. / **ES:** El símbolo significa que el producto no debe desecharse con la basura doméstica para evitar contaminación ambiental y lesiones humanas. Lleve el aparato a un centro de reciclaje especializado en electricidad. accesorios. / **BG:** Този символ означава, че продукта не трябва да се изхвърля заедно с останалите битови отпадъци, за да се избегне замърсяване на околната среда и нараняване на хора. Отнесете уреда в специализиран пункт за рециклиране на електроуреди. / **RO:** Acest simbol indică faptul, că produsul nu trebuie aruncat împreună cu deșeurile menajere pentru a fi evitată poluarea mediului și afectarea sănătății umane. Duceți aparatul la un centru specializat de colectare a aparatelor electrocasnice pentru a fi predate spre reciclare. / **GR:** Αυτό το σύμβολο σημαίνει ότι το προϊόν δεν θα πρέπει να απορρίπτεται μαζί με άλλα οικιακά απορρίμματα για να αποφευχθεί η μόλυνση του περιβάλλοντος και ο τραυματισμός ανθρώπων. Πηγαίστε τη συσκευή σε ειδικό κέντρο ανακύκλωσης ηλεκτρικών συσκευών.

CE RoHS

